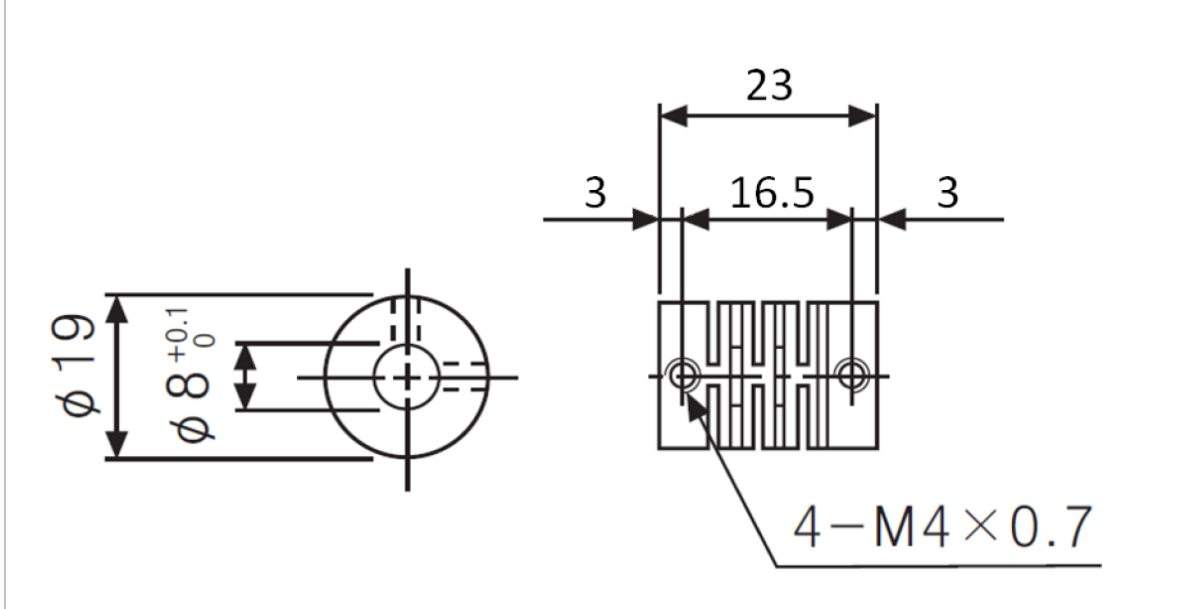




- One Piece Construction
- Plastical Alloy
- Flexible Structure
- 6-6, 8-8 mm Model Options
- Long Life
- Set Screw

Mechanical Dimensions



Order Code

Model

Major and Minor Bore Size

6-6 : 6mm - 6mm
 8-8 : 8mm - 8mm

P	C	-	X	X	-	X	-	X	-	L	=	X	X
										Outside Diameter		L = Length	
										19 : 19 mm		23 = 23 mm	