



- Optical Principle
- Incremental measurement
- 30 up to 42 mm shaft diameters
- 1.024 pulse standard resolutions
- 300 KHz response frequency
- 100 mm body size

TECHNICAL SPECIFICATIONS

Process Temperature	- 25 to 85 °C
Stock Temperature	- 40 to 100 °C
Body Diameter	100 mm
Response Frequency	300 KHz
Operating Speed	3.000 RPM max.
Shaft Diameter	30 mm, 32 mm, 38 mm, 40 mm, 42 mm

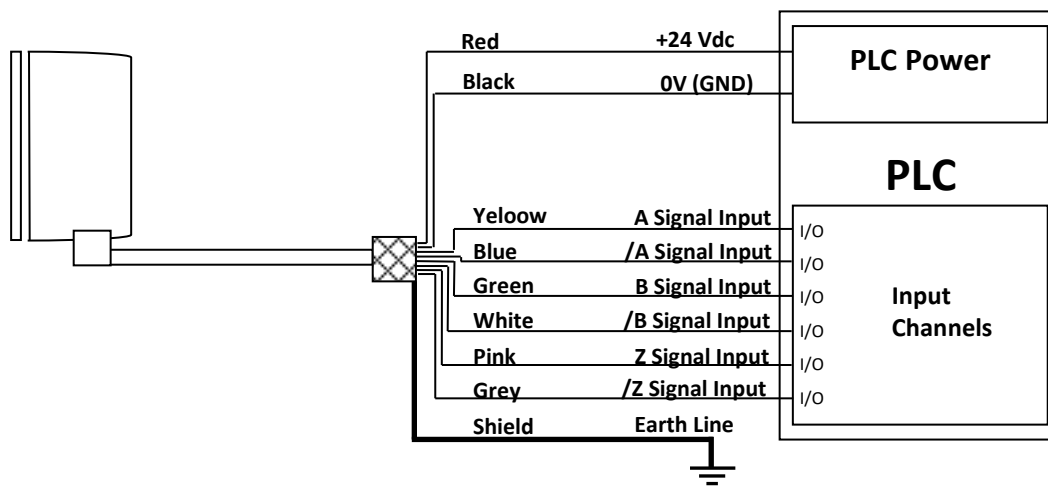
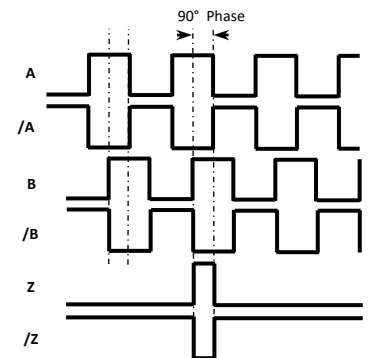
ELECTRICAL SPECIFICATIONS

Supply Voltage	+5 VDC, +10VDC...30VDC
Supply Current	50mA Nominal
Output Type	Push Pull, TTL Line Driver, Open Collector
Output Signals	A, /A, B, /B, Z, /Z
Output Current	100mA max. (Every Channel)
Connection	5 or 8 x 0,14 mm ² Cable with Shield

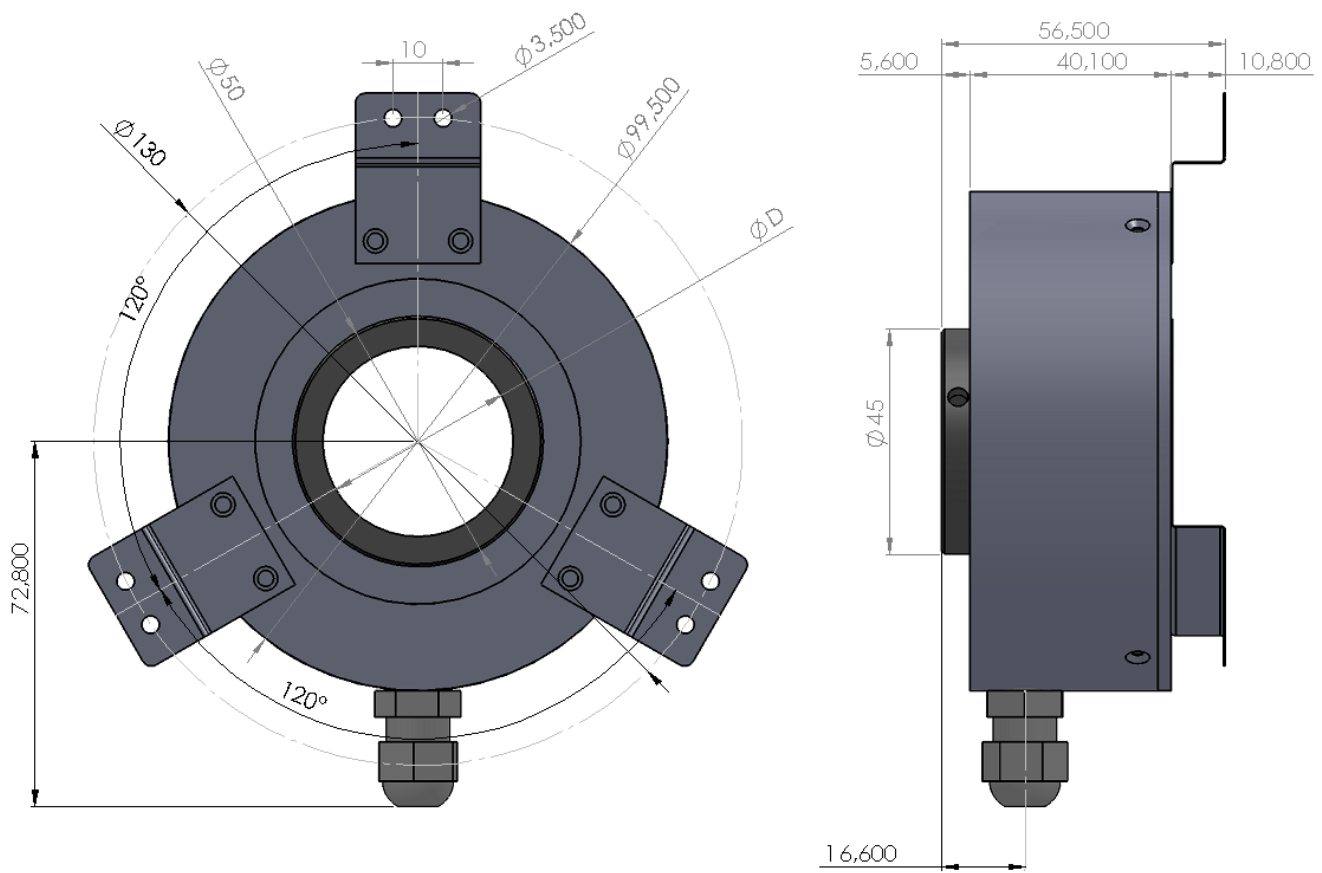
OUTPUT SIGNALS

PIN NO	SIGNAL	CABLO COLOR
1	A	YELLOW
2	/B	WHITE
3	+V	RED
4	0 V	BLACK
5	/A	BLUE
6	B	GREEN
7	/Z	GREY
8	Z	PINK
9	GROUND	SHIELD

The cable colors of the output signals of the left table sensor are given. If the control circuit is available, the output signals (/ A, / B, / Z) of the Line Driver sensors must be included in the system. If the control circuit is not available, the wires of the A, / B, / Z signals must be fixed separately. It should not be forgotten that there is electricity also at these edges.



MECHANICAL DIMENSIONS



ORDER CODING

Series

ARC : Optical

Body Size

100 : 100 mm

Power Supply and Output

PP : 10...30 VDC Supply
 : 10...30VDC Output
 TTL : 5 VDC Supply
 : 5 VDC TTL Output
 HTL : 10...30 VDC Supply
 : 5 VDC TTL Output
 HPL : 5...30 VDC Supply
 : 5...30 VDC Push-Pull Output
 OCL : NPN Open Collector
 OCP : PNP Open Collector

Cable Length

3M : 3M (Standard)
 5M : 5M
 8M : 8M
 10M : 10M

* Optional up to 35 meters

Flange Type

FZ : "Z" Type Flange

ARC	H	100	XXX	XXX	X	XM	X	XX
Series	Shaft Type	Body Size	Resolutions	Output Signals	Cable Length	Hole Diameter	Flange Type	
ARC : Optical	H : Hollow Shaft	100 : 100 mm	1024 : 1024 Pulse	3 : A, B, Z 6 : A, /A, B, /B, Z, /Z	3M : 3M (Standard) 5M : 5M 8M : 8M 10M : 10M * Optional up to 35 meters	30 : 30 mm 32 : 32 mm 38 : 38 mm 40 : 40 mm 42 : 42 mm	FZ : "Z" Type Flange	

Atek Elektronik Sensör Teknolojileri Sanayi ve Ticaret A.Ş.

Gebze OSB, 800. Sokak, No:814 Gebze/KOCAELI/TURKEY

Tel: +90 262 673 76 00

Fax: +90 262 673 76 08

www.ateksensor.com

info@ateksensor.com

