

3115F-12390

REFERENCE FORCE TRANSDUCER

Standard reference force transducer specially designed for checking concrete testing machines according to the norms EN 12390-4 and DIN 51302-2

- Allows checking the homogeneity of the repartition of the forces generated by verifying:
 - o self-alignment and restraint on movement of the upper platen
 - o alignment of the component parts of the machine
- Normalized dimensions
- Full scale: 2 MN
- 4 independent full bridges @ 90°
- Protection: IP65
- Material: Nickel plated alloy steel
- Options:
 - o Digital output RS-232C, RS-485 or USB
 - o Class 1 and 05 following ISO376



Model 3115F-12390

TECHNICAL DATA		
Hysteresis		≤ ± 0.30
Repeatability with rotation (reproducibility)		≤ ± 0.20
Repeatability without rotation (repeatability)	% RO ⁽¹⁾	≤ ± 0.10
Creep (over 30 minutes)		≤ ± 0.10
Return to zero		≤ ± 0.05
Reference temperature		20
Compensated temperature range	°C	-10 .. +45
Service temperature range		-30 .. +70
Storage temperature range		-50 .. +85
Temperature coefficient on sensitivity	% RO / °C	≤ ± 0.035
Temperature coefficient on zero	% FS ⁽²⁾ / °C	≤ ± 0.03
Sensitivity	mV/V	1.5
Time of stabilization after power excitation supply	s	200...600
Input resistance	Ohm	350 ± 3
Output resistance	Ohm	350 ± 2
Insulation resistance	MOhm	> 5000
Nominal excitation voltage	V	10
Maximum excitation voltage	V	15
Service load		100
Limit load	% FS	110
Breaking load		> 300

(1) RO is the rated output (i.e.: measured value). The mentioned values are only valid if RO ≥ 20% of full scale).

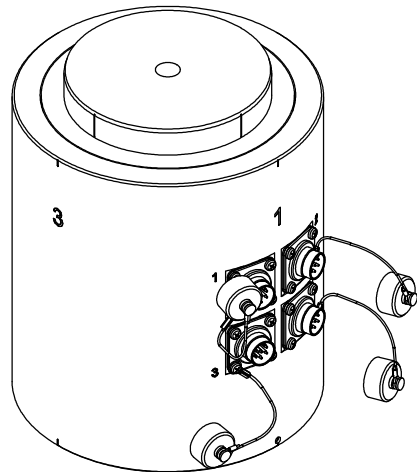
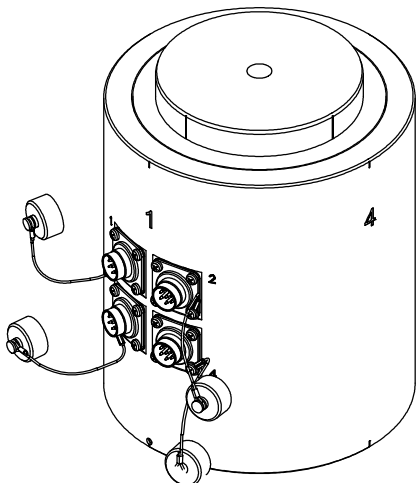
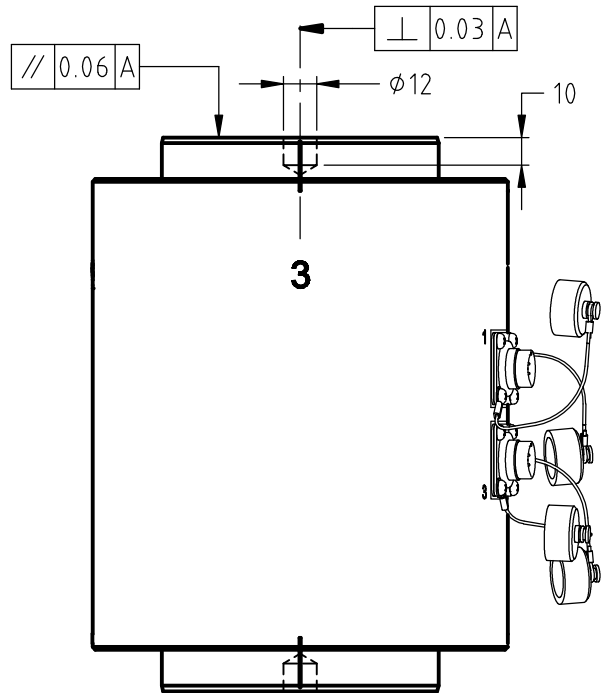
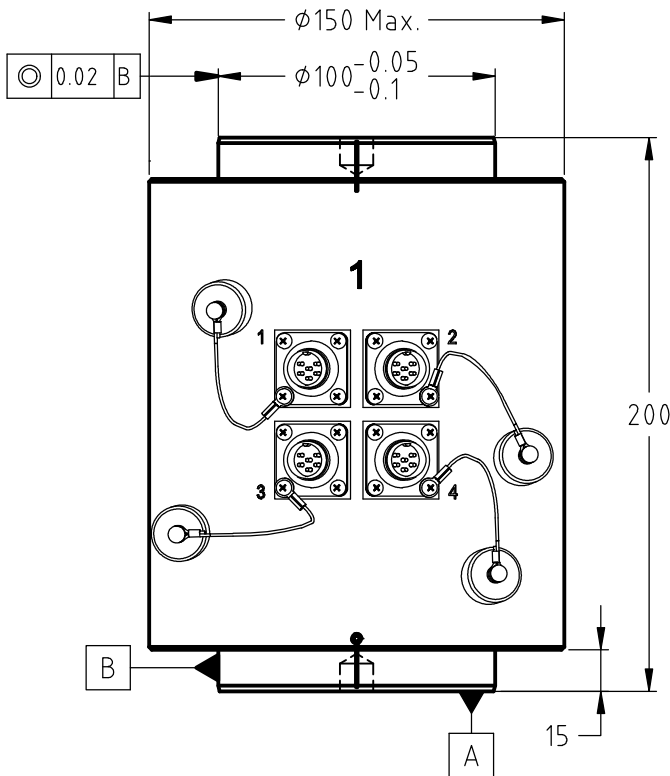
(2) FS is the full scale of the force transducer.

LOAD CELLS

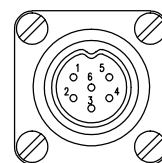
modele 3115F stainless steel

COMPRESSION

Spécial sensor following EN 12390-4 & DIN 51302-2
(4 independents full bridges)



FEMALE-MALE CONNECTOR DIN 45322



- | CONTACT N° | | |
|------------|--------------|--------|
| 1 | Excitation - | Yellow |
| 2 | Signal + | Green |
| 3 | Signal - | White |
| 4 | Excitation + | Brown |
| 5 | Sense - | Grey |
| 6 | Sense + | Pink |

Cable screen not connected to transducer
Option f : Cable screen connected to transducer