



- Piezoresistive measurement principle
- Long-term stable operation
- EMC and Reverse Polarity protection
- 4-20 mA or 0-10 V analog output
- Different level measuring between 1 meter and 100 meters
- IP68 protection class
- Suitable for use in oils and fuels
- High quality
- Reasonable price, economical solution

PTL 130 level pressure sensors with piezoresistive working principle; are used for level measurement in applications like streams, reservoirs, water tanks, oil and fuel tanks etc.

With its stainless steel housing with IP68 protection class, it can work in harsh environments.

Thanks to the surge voltage and reverse polarity protection, the PTL 130 series are unaffected by electrical fluctuations and reverse connections.

Optionally configurable pressure ranges, analog output and mechanical connection options offer solutions suitable for various applications.

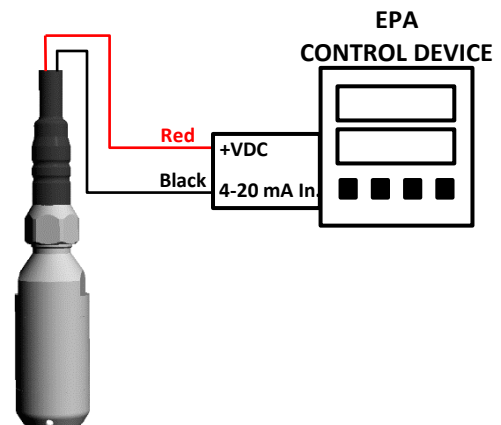
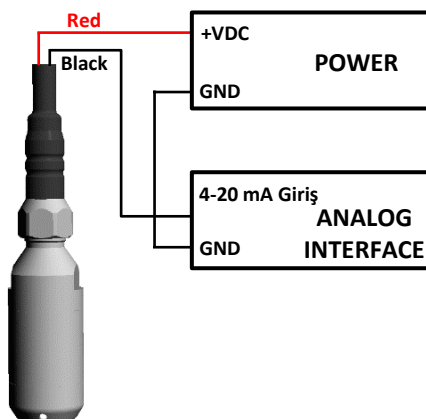
### TECHNICAL SPECIFICATIONS

<b>Measuring Principle</b>	Piezoresistive		<b>Electrical Connection</b>	3 x 0,35 mm <sup>2</sup> PTFE cable Cable outer diameter: 7,5 ±0,2 mm Drain pipe diameter: 2 mm (Cable length according to level value)	
<b>Membrane</b>	1.4404 (AISI 316L)			<b>Operating Temperature</b>	-25°C ... +85°C
<b>O-Ring</b>	Viton (FKM)		<b>Storage Temperature</b>		-25°C ... +85°C
<b>Measuring Range</b>	Different models between 100 mbar and 25 bar can be selected		<b>Protection Class</b>	IP68	
	<b>Output Signal</b>	<b>Signal</b>	<b>Supply</b>	<b>Material</b>	Body: 1.4404 (AISI 316L stainless steel) Cable: PTFE (polytetrafluorethylene)
	0...10VDC	12...30VDC	<b>Weight</b>		~350 gr
	0.5...4.5VDC	5VDC		<b>EMC Protection</b>	Emission: EN/IEC 61000-6-3 Immunity: EN/IEC 61000-6-2
	4...20mA	8...32VDC			
<b>Maximum Pressure</b>	%200 FS				
<b>Precision</b>	%0,3				

### ELECTRICAL CONNECTION

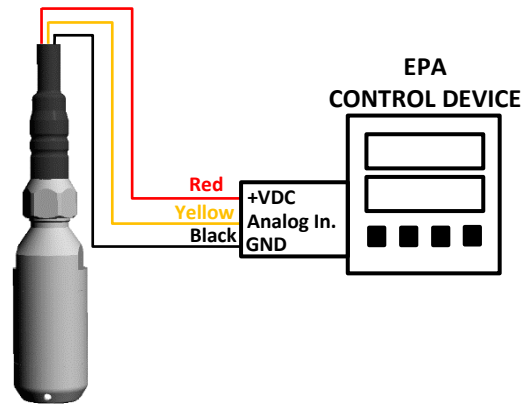
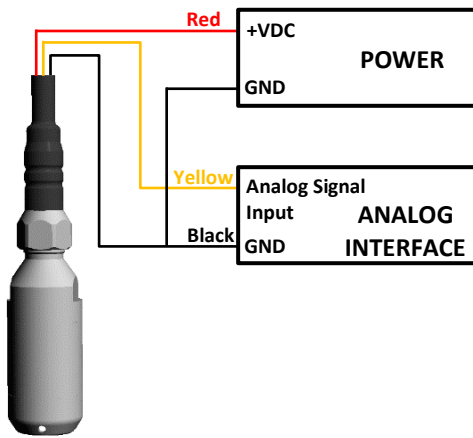
#### 4-20 mA Connection

Signal	Cable
+8...32 VDC ( + supply)	Red
4-20 mA	Black



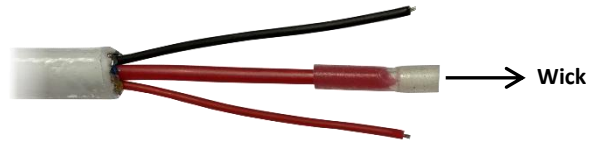
### 0-10 VDC and 0.5-4.5 VDC Connection

Signal		Cable
+12...30 VDC	+5 VDC	Red
GND	GND	Black
0-10 VDC	0.5-4.5 VDC	Yellow



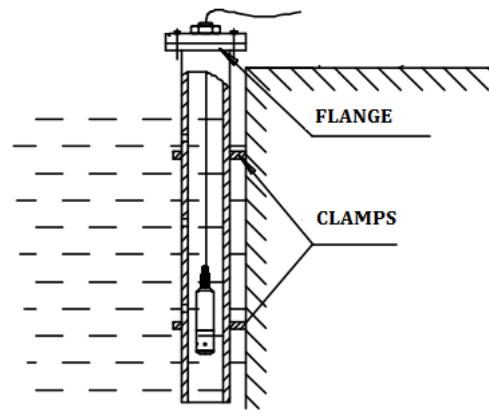
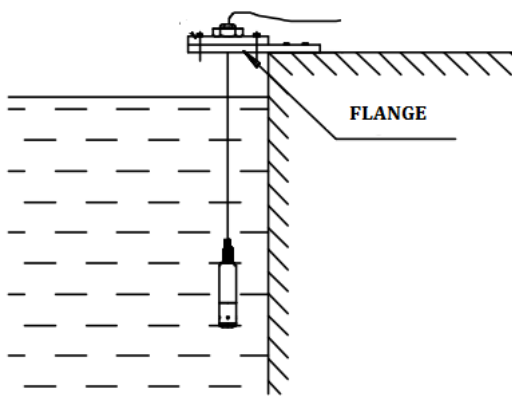
#### WARNING!

If the wick in the drain pipe is removed, the product will be out of warranty.

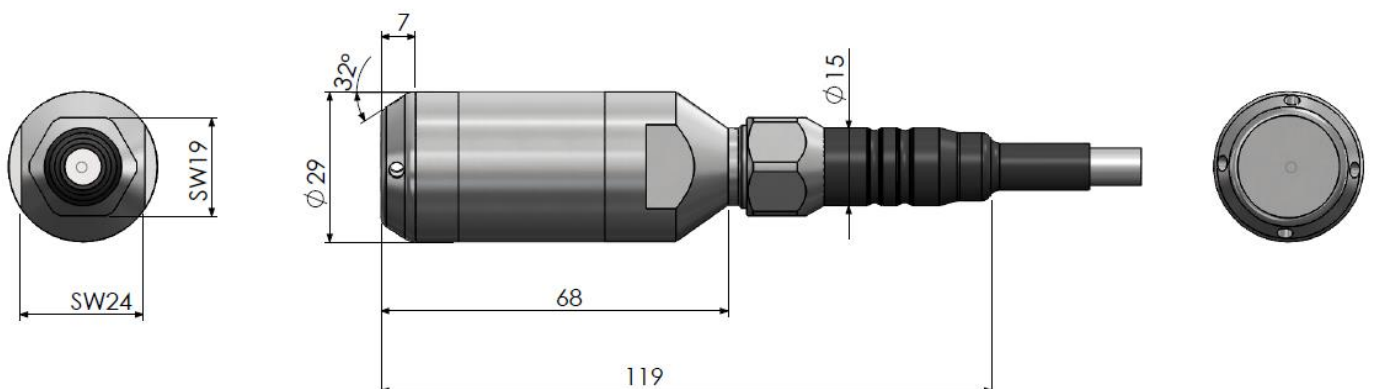


### SAMPLE APPLICATION

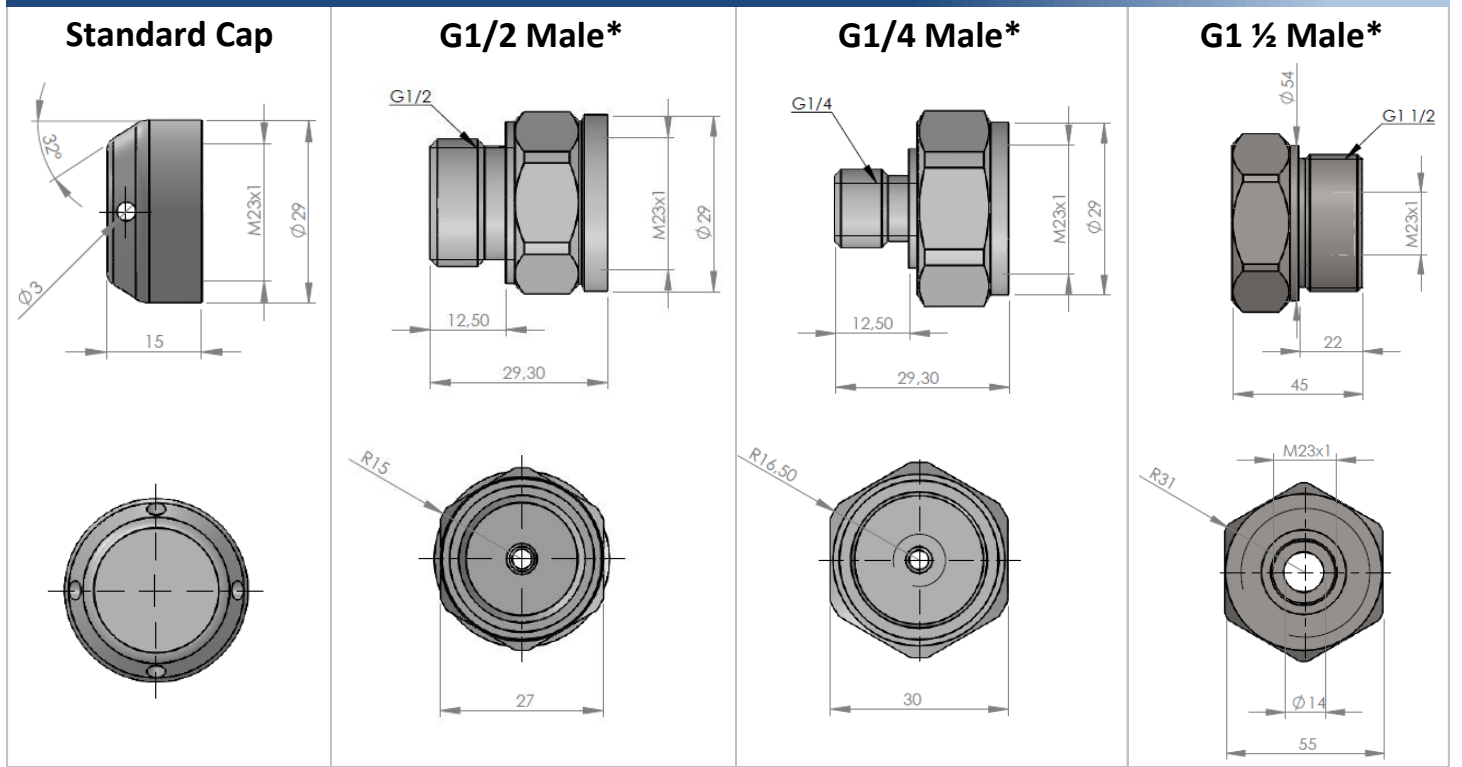
During the application, the product free submerge. Dams, rivers and streams of the product against a surge in applications should be suspended through the pipes.



### MECHANICAL DIMENSIONS (with standard cap)



## MECHANICAL CONNECTION OPTIONS



Fittings marked with (\*) are optional.

## SAMPLE APPLICATION FIELDS

- Wells
- Water Tanks
- Lake Level
- River Level
- Reservoirs
- Oil and Fuel Tanks



## ORDER CODE

**Model**

PTL 130

X

**Output Signal**

V : 0-10 VDC  
VB: 0.5-4.5 VDC  
A : 4-20 mA

XX

XX

**Cable Length**

5M : 5 meters  
8M : 8 meters  
10M: 10 meters

\* Must be selected 1 meter above the value to be measured in liquid level measurement

XX

XXX

**Pressure**

Different models between 100 mbar and 25 bar can be selected

\*( For water, 1 meter level = 100 milibar)

**Mechanical Connection**

No Code : Standard Cap  
G1/4 : G1/4 Connection  
G1/2 : G1/2 Connection  
G1.1/2 : G1 1/2 Connection

**Cable Type**

PTFE : PTFE (polytetrafluorethylene)

Product	Housing	Cable Material	O-Ring	Applications
PTL 110	1.4404 (AISI 316L)	PE (polythene)	NBR	Wells, water tanks, lake level, river level, reservoirs, grey waters, waste waters
PTL 120	1.4462 (dublex)	PE (polythene)	NBR	Sea water, saline water
	1.4404 (AISI 316L)			Wells, water tanks, lake level, river level, reservoirs, grey waters, waste waters
PTL 130	1.4404 (AISI 316L)	PTFE (polytetrafluorethylene)	Viton (FKM)	Oils and fuels

Atek Elektronik Sensör Teknolojileri Sanayi ve Ticaret A.Ş.



Gebze OSB, 800. Sokak, No:814 Gebze/KOCAELİ/TURKEY

