

5000B-5600B

LOAD MEASURING WEDGE SOCKET

Load measuring wedge socket designed to measure the force applied on a cable.

- CE certified for hoisting applications
- Sturdy design
- Load-pin : stainless steel
- Protection IP 65
- Easy to install
- Complete range of "CE" certified electronics, load limiters and displays available
- Available options (non exhaustive list):
 - o ATEX Ex ia IIC T6 to T4 certified (hazardous area)
 - o Protection IP67 or IP67 marine
 - o Amplified output signal (4..20 mA or 1..5 V)



Model 5000B

The SENSY's load pin 5000B is perfectly designed to the following applications :

- Hoisting devices and crane's security in combination with a load limitation electronics
- Force measuring on pulling cable

CAPACITIES :

5000B : from 0.3 to 20 t
(for cables diameter of 9 to 32 mm)

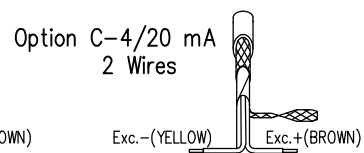
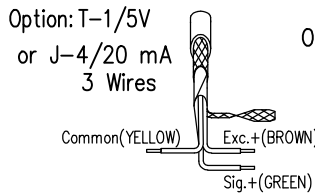
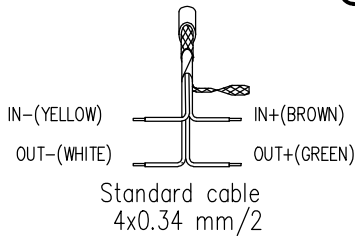
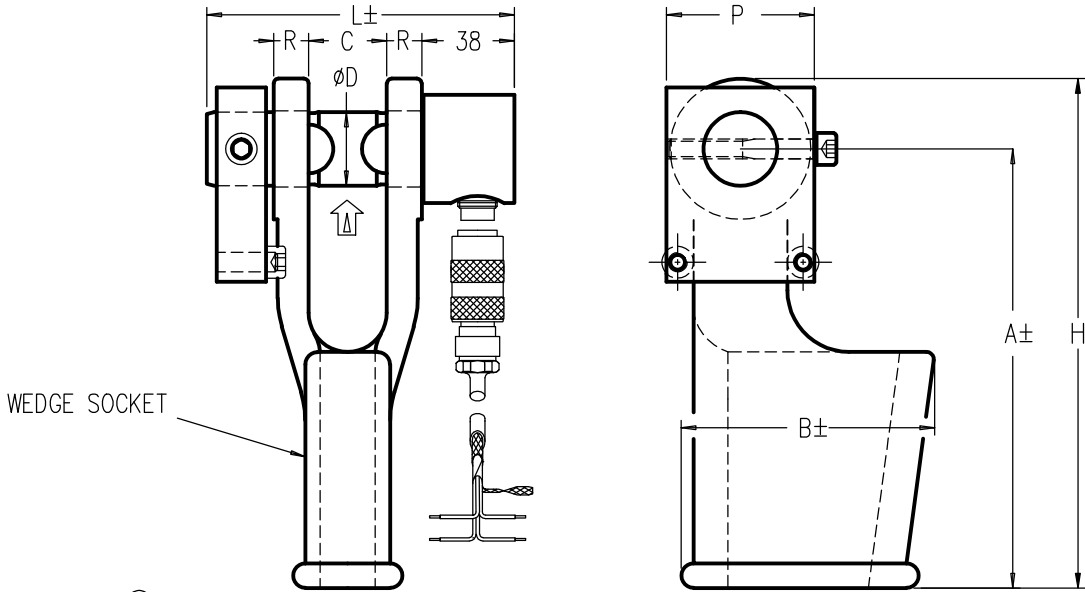
TECHNICAL DATA		
Accuracy class		SL
Combined error	% F.S.	1
Non - repeatability	% F.S.	< ± 0.25
Creep error over 30 min.	% F.S.	< ± 0.2
Zero shift after loading	% F.S.	< ± 0.05
Reference temperature	°C	23
Nominal temperature range	°C	- 10...+45
Service temperature range	°C	- 30...+70
Storage temperature range	°C	- 50...+85
Temperature coefficient of the sensitivity	% /10°C	< ± 0.1
Temperature coefficient of zero signal	% F.S./10°C	< ± 0.1
Nominal sensitivity	mV/V	± 1
Zero balance	mV/V	± 0.02
Sensitivity tolerance (g=9,8107 m/s ²)	%	< ± 0.5
Input / Output resistance	Ohm	350 ± 20
Insulation resistance (50V)	MOhm	> 5000
Nominal excitation voltage	V	5 to 10
Nominal range of the excitation voltage	V	2...15
Safe load limit	% F.S.	200
Breaking load	% F.S.	> 200...500
Static lateral force limit	% F.S.	> 300
Permissible dynamic loading	% F.S.	70

F.S.: full scale Specifications subject to change without notice

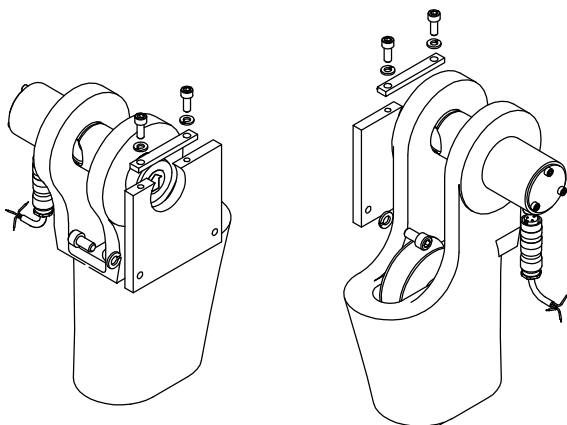
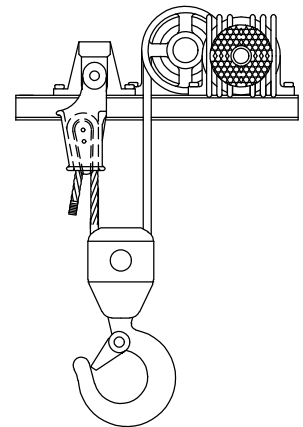
LOAD CELL

model 5000B axle in stainless steel
LOAD MEASURING WEDGE SOCKET

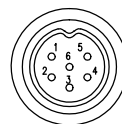
Range : 0.3 – 20t. $\pm 1\text{mV/V}$ IP65
Cable length : 6 m



SIZE (Ø of cable)	CAPACITIES	A±	B	C	ØD h9	H±	L±	R
3/8"	0.3-2 t.	145	65	20.6	20	167	108	11.2
1/2"	0.5-3 t.	146	87.5	25.5	25	173	118	12.7
5/8"	0.75-5 t.	178	103	31.8	30	207	125	14.2
3/4"	1-6 t.	215	122	38.1	35	248	139	16.8
7/8"	1.5-8 t.	240	139	44.5	41.4	283	143	19.1
1"	4-12.5 t.	276	155	50.8	50	324	160	22.3
1 1/8"	5-16 t.	313	171	57.2	57	365	172	25.4
1 1/4"	8-20 t.	351	187	63.5	63.5	406	185	28.7



FEMALE-MALE CONNECTOR DIN 45322



- | | | | |
|------------|------------|----------|------------------|
| CONTACT N° | | | |
| 1 | Excitation | - Yellow | } Standard cable |
| 2 | Output | + Green | |
| 3 | Output | - White | |
| 4 | Excitation | + Brown | |
| 5 | Sense | - Grey | |
| 6 | Sense | + Pink | |

Cable screen not connected to transducer
Option f : Cable screen connected to transducer (6 wires cable in option)
Cable screen connected to transducer for option t,C,J



www.sensy.com

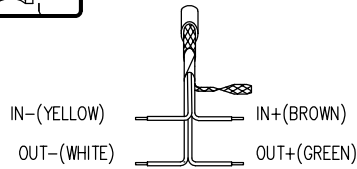
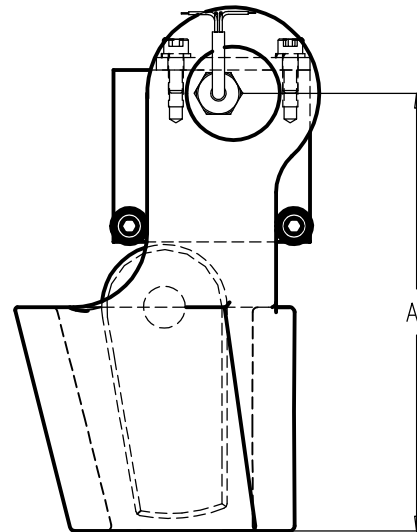
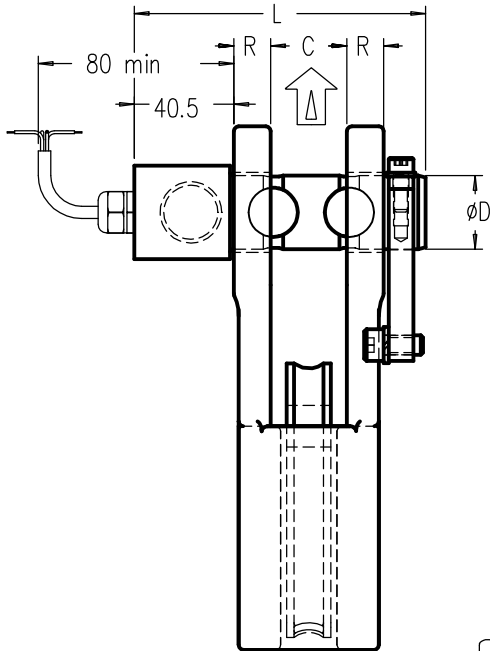
LOAD CELL

CE
(Hoisting)

model 5600B axle in stainless steel
LOAD PIN INSIDE OPEN WEDGE SOCKET

Range : 0.3 – 8 t. $\pm 1\text{mV/V}$ IP65

Cable length : 6 m



Standard cable
4x0.34 mm/2

Cable screen not connected to transducer
Option f : Cable screen connected to transducer
(6 wires cable in option)

SIZE (ϕ of cable)	CAPACITIES	A \pm	C	ϕD h9	L \pm	R	
3/8"	9-10 mm	0.3-2 t.	145	20.6	20	110	12
1/2"	11-13 mm	0.5- 3 t.	146	25.5	25	120	12
5/8"	14-16 mm	0.75-5 t.	178	31.8	30	127	15
3/4"	18-19 mm	1-6 t.	215	38.1	35	141	16
7/8"	20-22 mm	1.5- 8 t.	240	44.5	41	145	19

