

Large digital displays for the reading at long distance.



DISP-FPxx

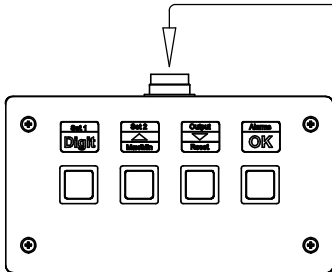
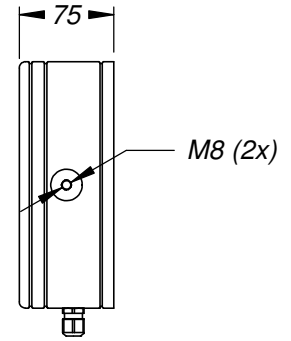
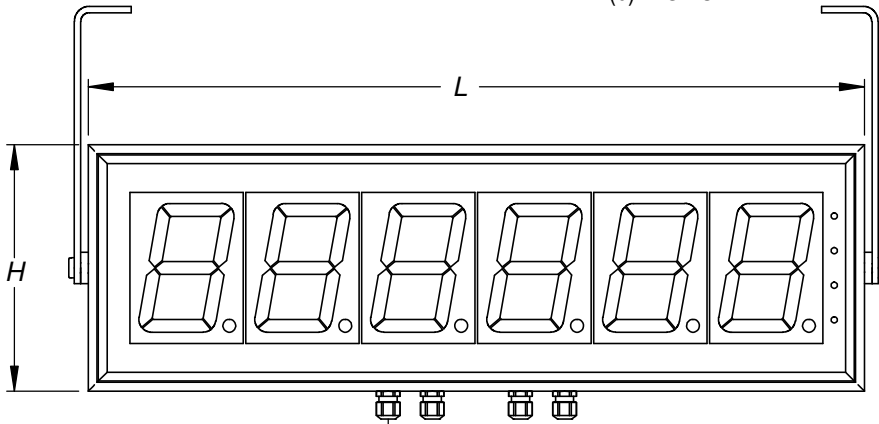
Digit's height	57 mm (DISP-FPx2xx) 102 mm (DISP-FPx4xx) 150 mm (DISP-FPx6xx) 200 mm (DISP-FPx8xx) 300 mm (DISP-FPx12xx) Other heights on request
Number of digits	4 (DISP-FP4xxx) 6 (DISP-FP6xxx)
Input signal	4 (0)..20 mA, 0..10 mA, 0..20 mA (input impedance : 33 Ω) 0..10 VDC (input impedance : 1 MΩ)
Excitation	24 VDC (60 mA max.) 10 VDC (20 mA max.)
Power supply	100 to 240 VAC (DISP-FPxxAC) 11 to 30 VDC (DISP-FPxxDC) 40 VA
Accuracy	± 0,05 % of the range
Filter	Time constant programmable from 0 to 25 seconds
Temperature	Standard: 0.. 50 °C Option: -25..50 °C (internal heating system) Storage: -20..70 °C (without condensation)
Thermal drifts	Zero 25 ppm/°C Span 30 ppm/°C
Tare function	By external contact
Protection	IP65 (display mounted vertically)
Connections	By internal terminals
Programming	By keys on the front plate or external contacts (PBOX-4B)
Options	48 VAC power supply (external transformer TRSFO-230-48) Digital output RS-232 or RS-485 Enhanced brightness (outdoor use)
Applications	Load indication on overhead cranes Weighing indication at long distance Indication of measuring force or torque at a distance

LARGE DISPLAYS

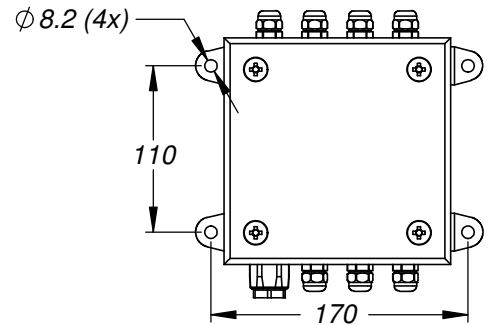


model DISP-FPxx-AC (Power supply : 100-240 VAC)
 model DISP-FPxx-DC (Power supply : 10-30 VDC)

4(6) DIGITS



OPTION 1: PROGRAMMATION BOX
(Ref: PBOX-4B)



OPTION 2: JUNCTION BOX
(Ref: JBOX P175)

Model	Digits size (mm/inches)	L (mm)	H (mm)	Viewing distance
DISP-FP42(or FP62)-AC(or DC)	57 - 2.25"	279.5 (376)	154.5	25 m
DISP-FP44(or FP64)-AC(or DC)	102 - 4"	434 (616)	195.5	50 m
DISP-FP46(or FP66)-AC(or DC)	150 - 6"	580 (820)	246	75 m
DISP-FP48(or FP68)-AC(or DC)	200 - 8"	750 (1072)	290	100 m
DISP-FP412(or FP612)-AC(or DC)	300 - 12"	1050 (1540)	408	140 m
DISP-FP416(or FP616)-AC(or DC)	400 - 16"	1368 (2020)	515	200 m

4 Digits: DISP-FP4x
 6 Digits: DISP-FP6x

