



- Optical principle
- Incremental measurement
- 6, 8 or 10 mm hole diameters
- Resolution options from 60 to 5000 pulses *
- 300 KHz response frequency
- 50 mm Body diameter

TECHNICAL SPECIFICATIONS

Process Temperature	- 25 to 85 °C
Stock Temperature	- 40 to 100 °C
Body Diameter	50 mm
Response Frequency	300 Khz
Operating Speed	6.000 RPM max.
Hole Diameter	6 mm, 8 mm, 10 mm

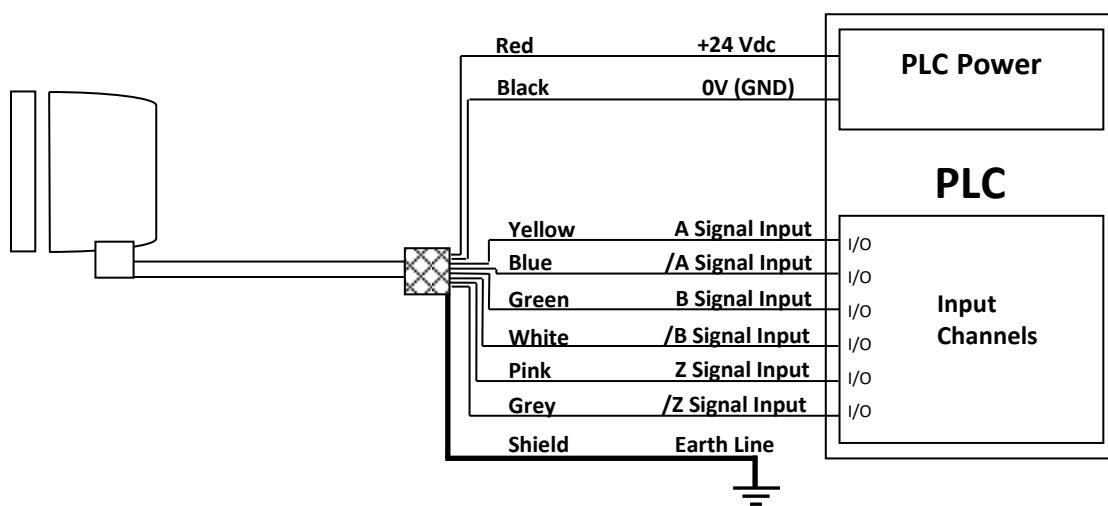
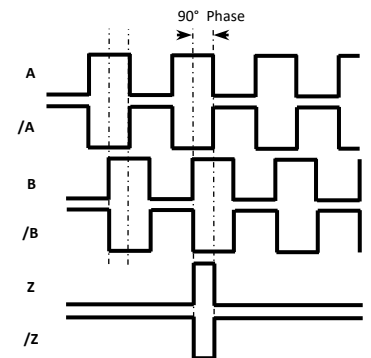
ELECTRICAL SPECIFICATIONS

Supply Voltage	+5 VDC, +10VDC...30VDC
Supply Current	50mA Nominal
Output Type	Push Pull, TTL Line Driver, Open Collector
Output Signals	A, /A, B, /B, Z, /Z
Output Current	100mA max. (Every Channel)
Connection	5 or 8 x 0,14 mm ² Cable with shield

OUTPUT SIGNALS

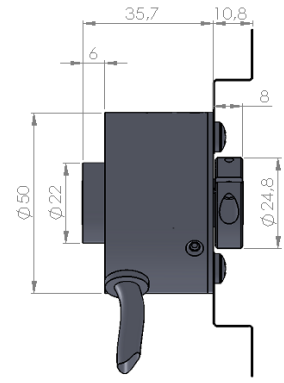
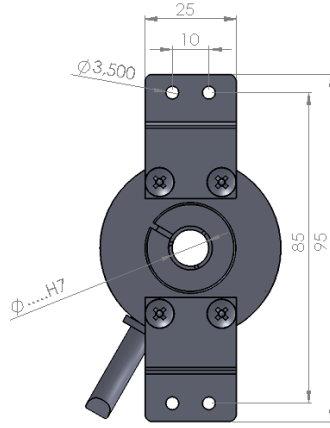
PIN NO	SIGNAL	CABLE COLOR
1	A	YELLOW
2	/B	WHITE
3	+V	RED
4	0 V	BLACK
5	/A	BLUE
6	B	GREEN
7	/Z	GREY
8	Z	PINK
9	GROUND	SHIELD

The cable colors of the output signals of the left table sensor are given. If the control circuit is available, the output signals (/ A, / B, / Z) of the Line Driver sensors must be included in the system. If the control circuit is not available, the wires of the A, / B, / Z signals must be fixed separately. It should not be forgotten that there is electricity also at these edges.

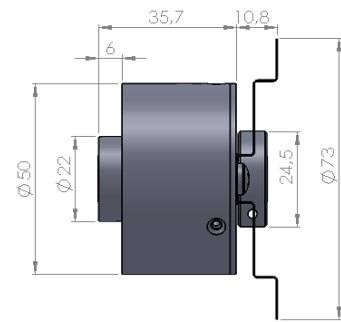
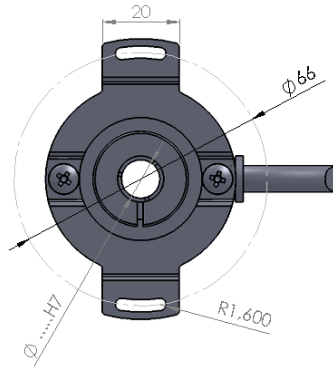


MECHANICAL DIMENSIONS

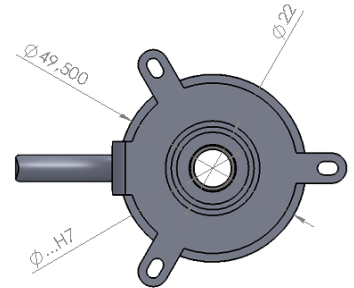
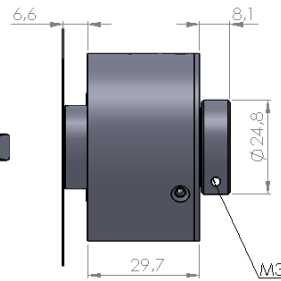
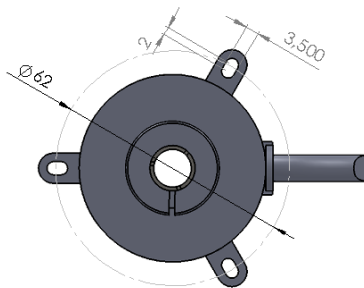
FZ - "Z" Type Flange



FC - Circular Flange



FB - Backside Flange



ORDER CODING

Series

ARC : Optical

Body Diameter

50 : 50 mm

Power Supply and Output

- PP : 10...30 VDC Supply
- : 10...30VDC Output
- TTL : 5 VDC Supply
- : 5 VDC TTL Output
- HTL : 10...30 VDC Supply
- : 5 VDC TTL Output
- HPL : 5...30 VDC Supply
- : 5...30 VDC Push-Pull Output
- OCL : NPN Open Collector
- OCP : PNP Open Collector

Cable Length

- 3M : 3M (Standard)
- 5M : 5M
- 8M : 8M
- 10M : 10M

*Optional, up to 35 meters

Hole Diameter

- 6 : 6 mm
- 8 : 8 mm
- 10 : 10 mm

ARC - H - 50 - XXX - XXX - X - XM - X - XX - XX

Shaft Type

H : Hollow Shaft

Resolution

See Resolution*

Output Signals

- 3 : A, B, Z
- 6 : A, /A, B, /B, Z, /Z

Cable Direction

Y : From side

Flange Type

- FZ : "Z" Type Flange
- FC : Circular Flange
- FB : Backside Flange

***Resolutions:**

60 - 100 - 360 - 500 - 1024 - 2000 - 2048 - 3600 - 5000 (Optional)

Atek Elektronik Sensör Teknolojileri Sanayi ve Ticaret A.Ş.



Gebze OSB, 800. Sokak, No:814 Gebze/KOCAELİ/TURKEY

Tel: +90 262 673 76 00

Fax: +90 262 673 76 08

www.ateksensor.com

info@ateksensor.com