

3300

INSERTABLE STRAIN SENSOR -INSERTGAGE®

Insertable extensometer designed to deduct the force in a structure by measuring its deformation.

- Designed to measure:
 - o Tension, compression shear and bending force
 - o Torque, moment
- One unique model independent of the capacity range
- Stainless steel
- Protection IP 67
- Very competitive prices
- Easy to install (one hole to drill)
- Accuracy on site : 1 to 5 %
- Option: ATEX Ex ia IIC T6 to T4 certified (hazardous area)



Model 3300

The SENSY's insertable strain sensor 3300 is perfectly designed to the following applications :

- Silos, hoppers, tanks, reactors or containers weighing
- Level measurement
- Stress measurement on machines
- Force distribution control
- Rail weighing
- Set point detection

CAPACITIES :

3300 : 20 to 120 N/mm²



LOAD CELL

model 3300 stainless steel

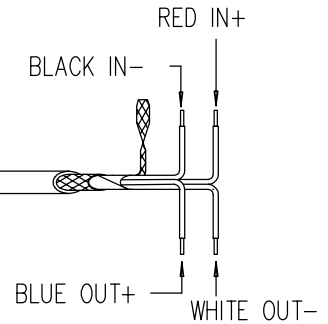
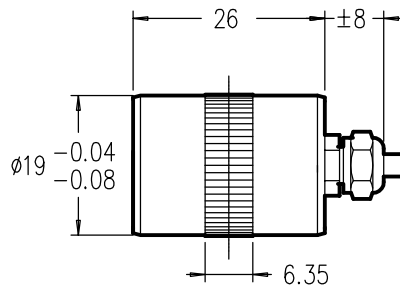


INSERT-GAGE

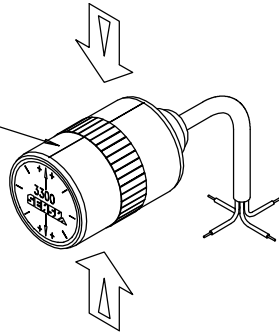
Impedances 350 or 700 ohms IP67

Cable length : 0.75 or 5 m

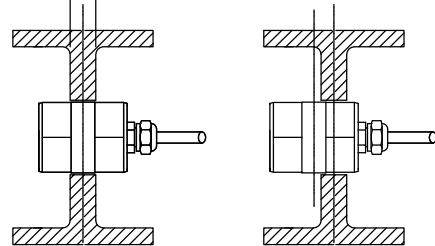
KNURL $\phi 19$ $+0.22$
 $+0.19$



Marking lines
(2x at 180°)
Maximum Sensitivity
when force applied on lines



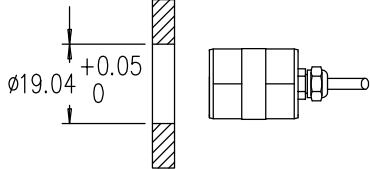
Minimum thickness = 4 mm



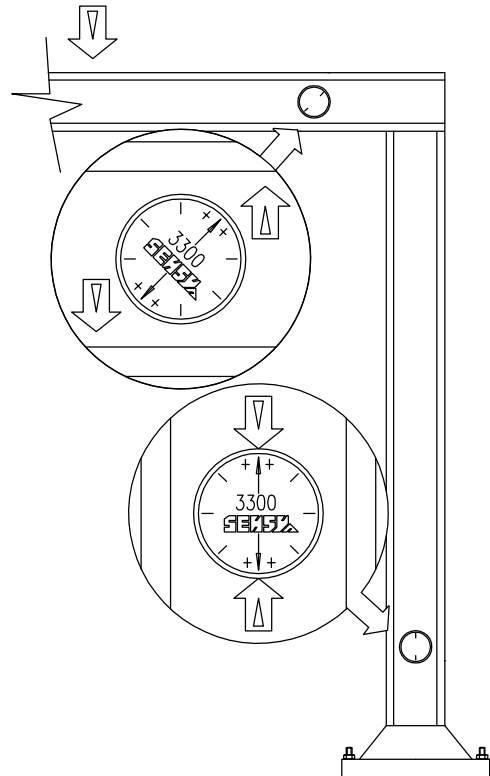
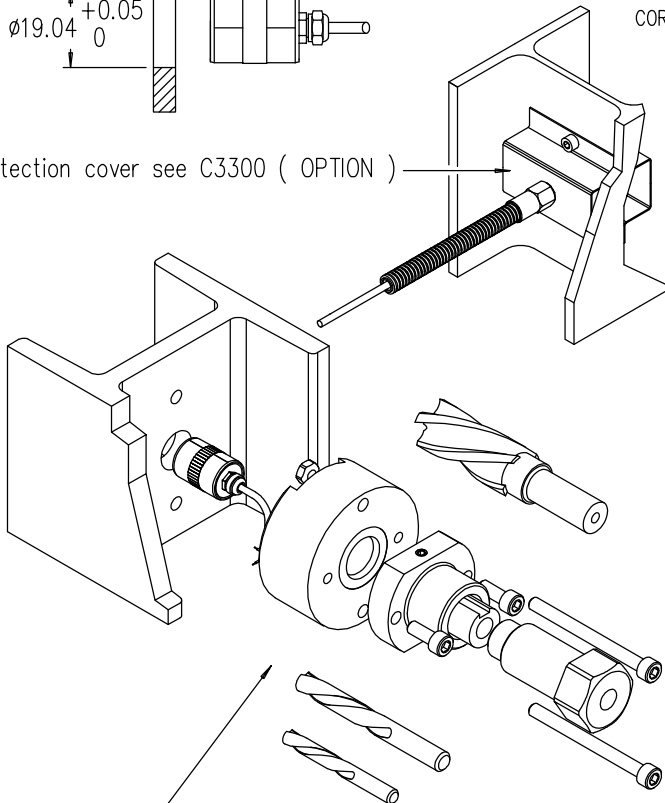
CORRECT MOUNTING

NOT CORRECT

ϕ Mounting hole



Protection cover see C3300 (OPTION)



-See mounting documentation and tools (On request)

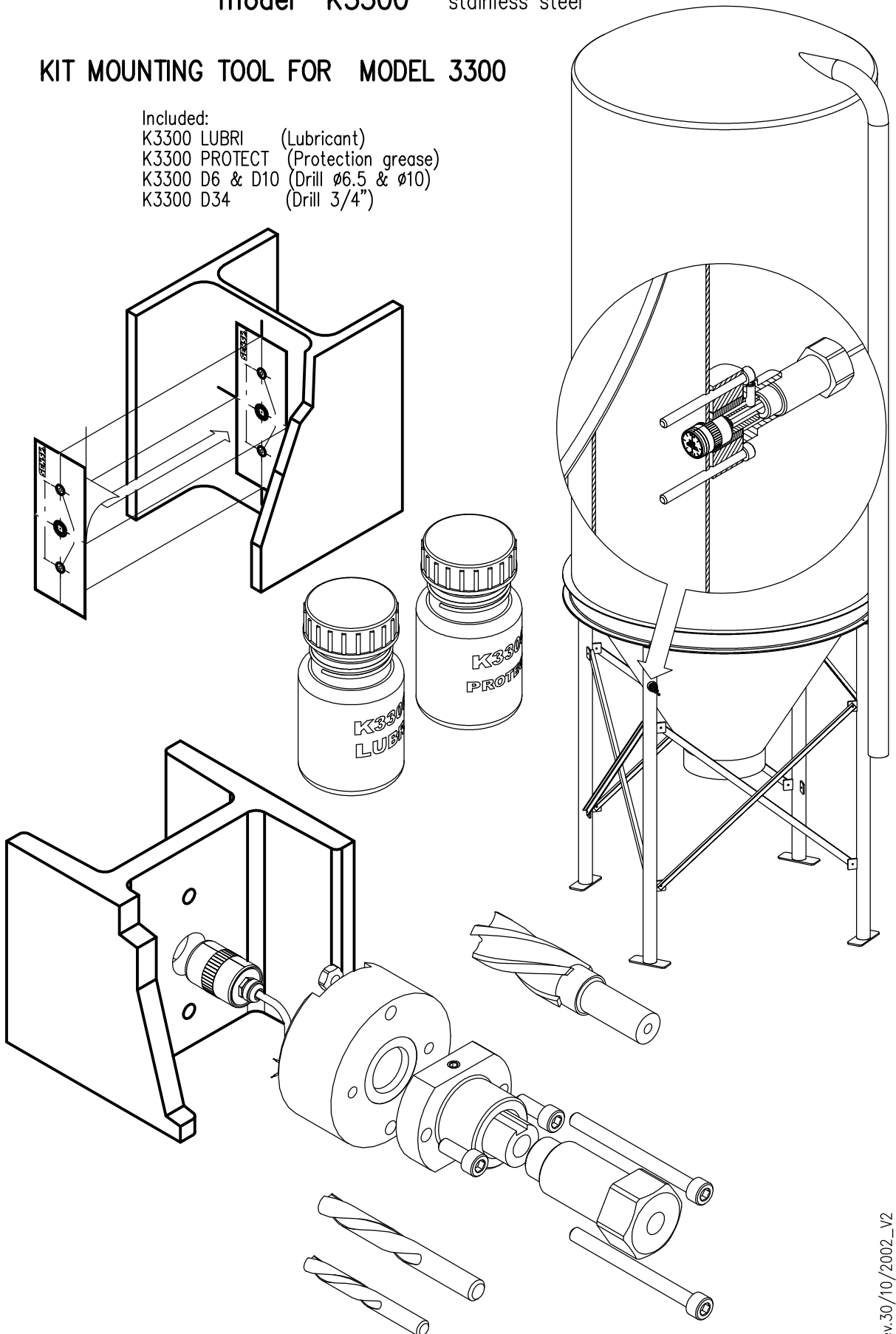


ACCESSORIES

model K3300 stainless steel

KIT MOUNTING TOOL FOR MODEL 3300

Included:
K3300 LUBRI (Lubricant)
K3300 PROTECT (Protection grease)
K3300 D6 & D10 (Drill $\varnothing 6.5$ & $\varnothing 10$)
K3300 D34 (Drill 3/4")





www.sensy.com

ACCESSORIES

model C3300 stainless steel

PROTECTION COVERS FOR MODEL 3300

