

## GENERAL FEATURES

- One-sided actuating rod
- Measuring distance (stroke) options between 10mm and 100mm
- M10x0,75 bushing (optional others)
- Potentiometric measurement
- 1K, 5K and 10K resistance options
- $\pm 1\%$  high linearity
- Long life up to 5 million movements
- Compact design
- IP65 protection

## APPLICATIONS

- Gas pedal

## TECHNICAL SPECIFICATIONS

### Electrical Data

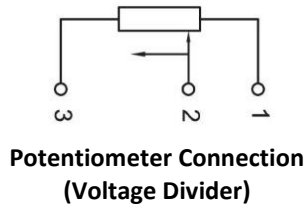
Model	LK 010	LK 025	LK 050	LK 075	LK 100
Electrical Stroke (mm)	10	25	50	75	100
Independent Linearity	$\pm 1\%$				
Repeatability	0.05 mm				
Resolution	Infinite				
Output Type	<b>Potentiometric</b>				
Resistance	1K, 5K, 10K (optional other)				
Resistance Tolerance	$\pm 20\%$				
Supply Voltage	42V max.				
Minimum Life (electrical)	10 million cycles				
Electrical Connection	3x0,102 mm <sup>2</sup> soft PVC cable (optional other)				

### Mechanical Data

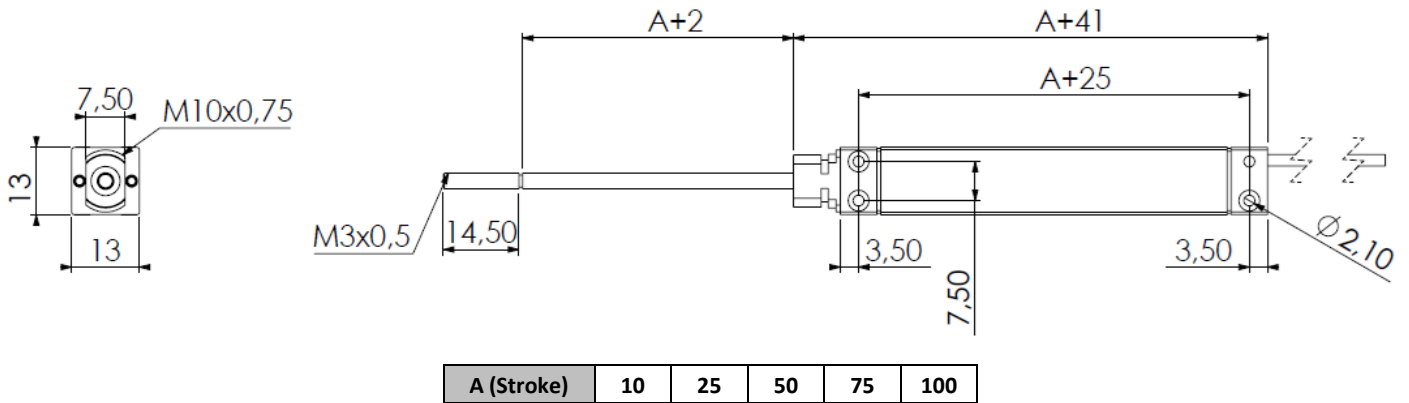
Model	LK 010	LK 025	LK 050	LK 075	LK 100
Mechanical Stroke (mm)	12	27	52	77	102
Adjusting force of the push rod	3N max.				
Operating Temperature	-25°C ... +75°C				
Storage Temperature	-25°C ... +105°C				
Protection Class	IP65				
Minimum Life (mechanical)	5 million cycles				
Rod Material	Stainless Steel				
Body Material	Aluminum				

## ELECTRICAL CONNECTION

SIGNAL	CABLE COLOR
+V	Green (1)
Output Signal	Red (2)
-V	Yellow (3)



## MECHANICAL DIMENSIONS (mm)



## ORDER CODE

Model		XXX		XXX		XXX
LK	-		-		-	
		<b>Resistance Value</b>				
		1K : 1K				
		5K : 5K				
		10K : 10K				
		<b>Measuring Lengths (stroke)</b>				<b>Electrical Connection</b>
		010 : 10mm				0.15M : 15 cm cable
		025 : 25mm				*Optional others
		050 : 50mm				
		075 : 75mm				
		100 : 100mm				