

BHT 26

"Flush Pressure Transmitter For Food Industry and Aseptic Applications "



- SS316L isolation diaphragm structure
- 26 mm diameter stainless steel housing
- Different options from 100 mBar to 25 Bar
- 4...20mA / 0...10VDC etc. Different analog output options
- Suitable for process temperature up to 120°C
- EMC and reverse polarity protection
- High accuracy and stability
- IP65 protection class

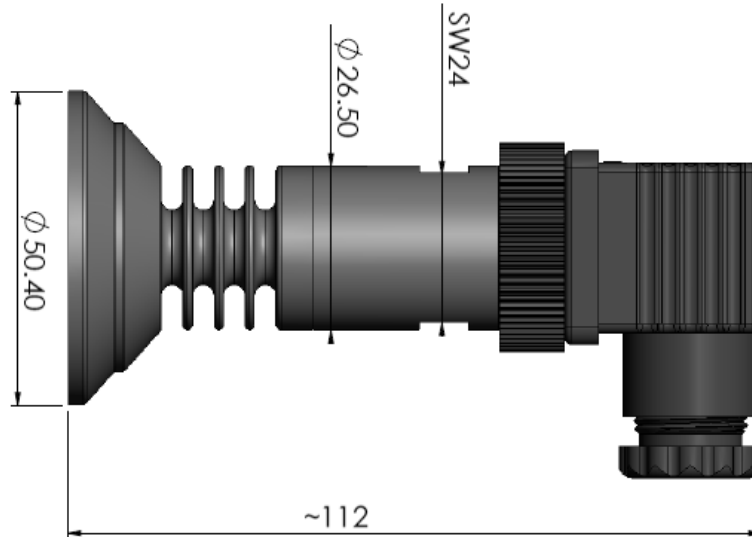
BHT 26 flush pressure transmitter is applicable to food, beverage, pharmaceutical and biological engineering. Full metal flush-mounting isolation diaphragm is directly welded with process connection to ensure the precision connection between process connection and measuring diaphragm. Therefore, no additional sealing gaskets are required, and it ensures there are no measurement dead zones.

The stainless steel 316L diaphragm separates the measuring medium from the pressure sensor, and the process pressure from the diaphragm to the piezoresistive sensor is transferred statically through the filling fluid which has the hygienic license.

APPLICATIONS

- Oil and gas, compressed air, steam, liquid, paste and powder media
- Vacuum pressure detection such as vacuum transfer pump monitoring

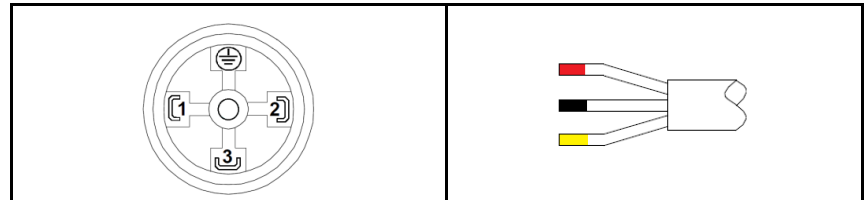
MECHANICAL DIMENSIONS (mm)



TECHNICAL FEATURES

Pressure range	100 mBar ... 25 Bar					
Diaphragm	316L stainless steel					
Output Signal	4...20mA (2 Wire)	0...20mA (3 Wire)	0...10VDC	1...6VDC	0...5VDC	Ratiometric
Supply Voltage	8 ... 32 VDC	12...30 VDC	12...30 VDC	12...30 VDC	12...30 VDC	5 VDC
Accuracy	%0.5FS					
Hysteresis and repeatability	%0.1FS					
Temperature drift	0.1bar: $\pm\%3FS$ (0°C~60°C) Other ranges: $\pm\%1.5FS$ (-10°C~70°C)					
Response time	$\leq 1ms$ (up to 90%FS)					
Overpressure	See. Pressure range selection table (page3)					
Service life	1×10^6 pressure cycles					
Operating temperature	-40°C ... +120°C					
Storage temperature	-40°C ... +120°C					
EMC	Immunity: IEC 61000-6-2, Radiation: IEC 61000-6-3					
Insulation resistance	$\geq 200M\Omega/250VDC$					
Surge	IEC 61000-4-5 3 level					
Static	IEC 61000-4-2 4 level					
Electrical connection	DIN43650-A or 3 x 0.14mm ² PVC cable					
Housing material	316L stainless steel					
Medium compatibility	All kinds of media compatible with SS316L					
Protection	IP65					

ELECTRICAL CONNECTIONS



DIN D43650-A	CABLE
S30	COLOR
PIN NO	

CURRENT OUTPUT	+Vcc	2	RED
	Analog Output	1	BLACK
VOLTAGE UTPUT	+Vcc	2	RED
	GND	1	BLACK
	Analog Output	3	YELLOW

PRESSURE RANGE SELECTION

Code	Pressure Range	Overpressure	Burst Pressure
100mBar	0~0,1 Bar	%300FS	%600FS
350mBar	0~0,35 Bar	%300FS	%600FS
1Bar	0~1 Bar	%200FS	%500FS
6Bar	0~6 Bar	%200FS	%500FS
10Bar	0~10 Bar	%200FS	%500FS
25Bar	0~25 Bar	%200FS	%500FS

ORDER CODE

Output Signal

Voltage Output Products
 V : 0-10VDC (standard)
 V1 : 0-5VDC
 V2 : 1-6VDC
 V3 : 0,5-4,5VDC
 V4 : 0,5-5,5VDC
 V5 : 1-5VDC
 V6 : 1-10VDC

Ratiometric Products
 V8 : Ratiometric 0.5-4.5VDC
 V9 : Ratiometric 0-5VDC

Current Output Products
 A : 4-20mA (2-wire) (standard)
 A0 : 0-20mA (3-wire)

* Ask for others

Model

BHT 26

XXbar

XX

XXX

Pressure Range

Different models from 100 mbar to 25 bar

Electrical Connection

S30 : DIN43650-A type connector
 2M : 2 meters cable

* Ask for others

Sample Order Code: BHT 26 10bar A S30