

BTT 26

"Thin-Film Steel Diaphragm, Suitable for Chemical Applications, Resistant to Vibrations"



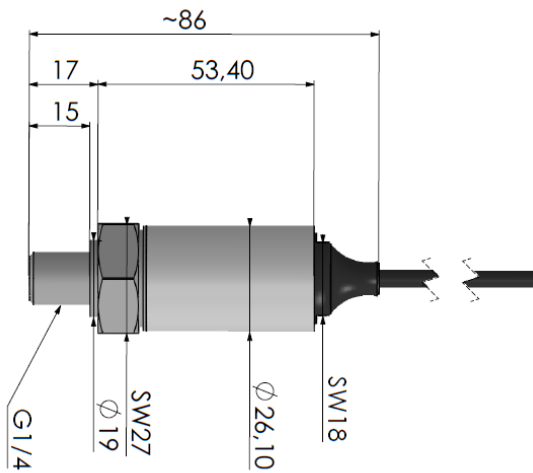
- Completely welded thin-film steel diaphragm structure that does not require o-ring
- 26 mm diameter stainless steel housing
- Different options up to 5000 Bar
- Resistant to vibrations
- Resistant to chemicals
- 4...20mA / 0...10VDC etc. different analogue output options
- EMC and reverse polarity protection
- High accuracy and stability
- Excellent long-term operation

BTT 26 series pressure transmitter is resistant to vibrations and ideal for use in difficult areas such as chemical applications with its completely welded thin-film steel diaphragm structure that does not require o-ring. Various analog output, mechanical connection and connector options are optionally available.

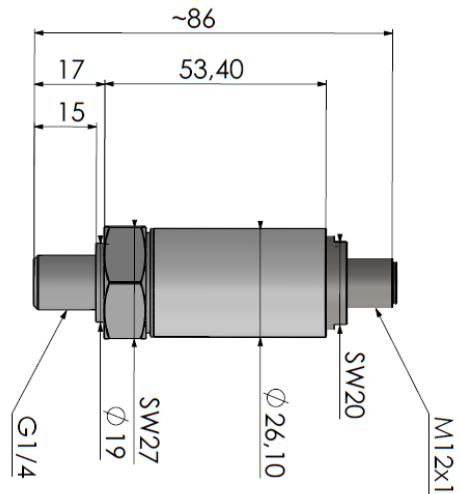
- Machine tools
- HVAC
- Process technology
- Hydraulics
- Refrigeration
- Water treatment

MECHANICAL DIMENSIONS (mm)

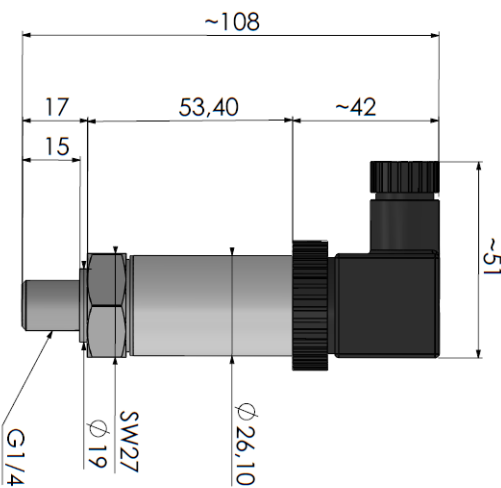
CABLE



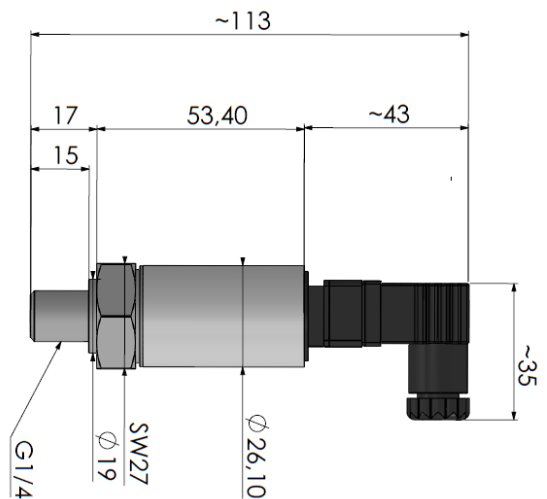
M12 CONNECTOR



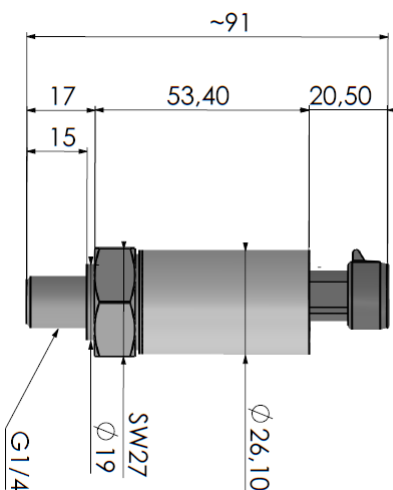
DIN43650-A CONNECTOR



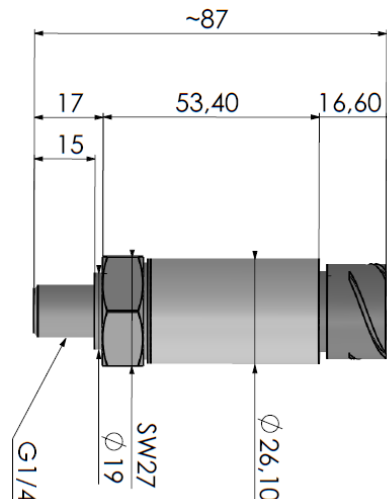
DIN43650-C CONNECTOR



PACKARD CONNECTOR



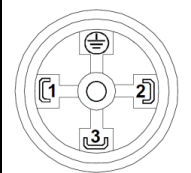
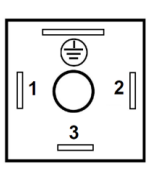
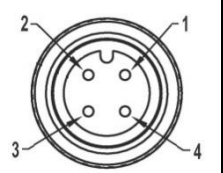
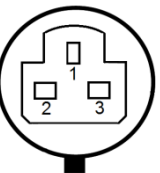
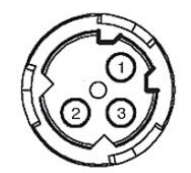
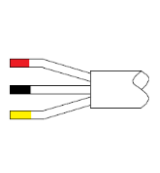
CIRCULAR CONNECTOR



TECHNICAL SPECIFICATIONS

Measuring Principle	Thin-film on steel diaphragm					
Measuring Range	Different options up to 5000 Bar					
Proof Pressure	%300FS <1000Bar, %150FS ≥1000Bar					
Burst Pressure	%500FS <1000Bar, %300FS 1000Bar ≤basınç≤ 2500Bar, %250FS 4000Bar, %200FS 5000Bar					
Output Signal	4...20mA (2 wire)	0...20mA (3 wire)	0...10VDC	1...6VDC	0...5VDC	Ratiometric
Supply Voltage	8 ... 32 VDC	12 ... 30 VDC	12 ... 30 VDC	12 ... 30 VDC	12 ... 30 VDC	5 VDC
Operating current	30 mA max.					
Accuracy	%0.5FS (@0°C~70°C)					
Long Term Stability	≤±%0.2 FS/ year					
Zero offset temperature coefficient	≤±%0.03 fso/°C					
Span temperature coefficient	≤±%0.03 fso/°C					
Response time	25ms (standard) %10...%90 nominal pressure 1ms, 5ms, 125ms (optional)					
Life Time	1x10 ⁸ cycles					
Operating Temperature	-40°C ... +85°C					
Storage Temperature	-40°C ... +85°C					
EMC Protection	Immunity	IEC 61000-6-2				
	Emission	IEC 61000-6-3				
Insulation Resistance	100MΩ/250VDC					
Electrical Connection	DIN43650-A, DIN43650-C, M12, Packard, Circular Connector or Cable					
Process Connection	G1/4 (optional others)					
Mounting Torque	15 ... 20 Nm					
Material	Pressure diaphragm	17-4ph SS (AISI630)				
	Process connection	17-4ph SS (AISI630)				
	Body	304L SS				
Protection	IP65 or IP67 **IP67 protection is provided if M12 connector models are equipped with press-printed connectors.					

ELECTRICAL CONNECTIONS

								
		DIN D43650-A	DIN D43650-C	M12 / 4 pin		PACKARD	CIRCULAR	CABLE
		S30	S31	S12	S15	S32	S33	COLOR
		PIN NO	PIN NO	PIN NO		PIN NO	PIN NO	
CURRENT OUTPUT	+Vcc	2	2	2	1	B	1	RED
	Analog Out	1	1	1	3	C	2	BLACK
VOLTAGE OUTPUT	+Vcc	2	2	2	1	B	1	RED
	GND	1	1	1	3	C	2	BLACK
	Analog Out	3	3	3	2	A	3	YELLOW

* For IP67 protection at model with M12 socket, press-printed cable should be used. Otherwise, it can not be used under IP67 conditions.

** PVC cable is used as standard in the model with cable.

*** On models with the PACKARD socket, the letter of pin numbers are 1(C) , 2(B) , 3(A).

PRESSURE RANGE SELECTION

Code	Pressure Range	Overpressure	Burst Pressure
25Bar	0~25 Bar	%300FS	%500FS
40Bar	0~40 Bar	%300FS	%500FS
60Bar	0~46 Bar	%300FS	%500FS
100Bar	0~100 Bar	%300FS	%500FS
250Bar	0~250 Bar	%300FS	%500FS
400Bar	0~400 Bar	%300FS	%500FS
600Bar	0~600 Bar	%300FS	%500FS
1000Bar	0~1000 Bar	%150FS	%300FS
1600Bar	0~1600 Bar	%150FS	%300FS
2500Bar	0~2500 Bar	%150FS	%300FS
4000Bar	0~4000 Bar	%150FS	%250FS
5000Bar	0~5000 Bar	%150FS	%200FS

ORDER CODE

Output Signal

Voltage Output Product

- V : 0-10VDC (standard)
- V1 : 0-5VDC
- V2 : 1-6VDC
- V3 : 0,5-4,5VDC
- V4 : 0,5-5,5VDC
- V5 : 1-5VDC
- V6 : 1-10VDC

Ratiometric Products

- V8 : Ratiometric 0.5-4.5VDC
- V9 : Ratiometric 0-5VDC

Current Output Products

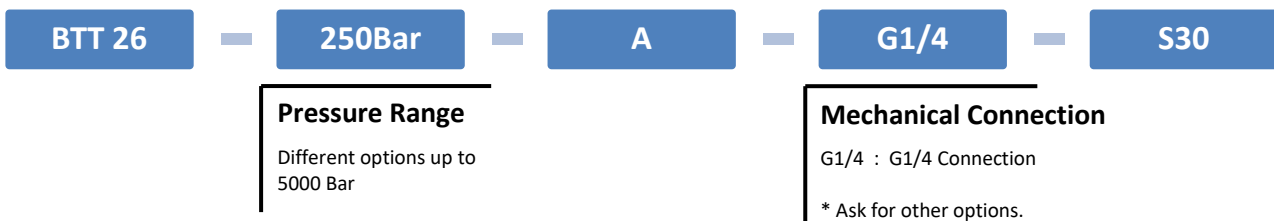
- A : 4-20mA (2-wire) (standard)
- A0 : 0-20mA (3-wire)

* Ask for other options.

Electrical Connection

- S12 : M12x1 4 pin
- S13 : M12x1 5 pin (for CANopen output)
- S15 : M12x1 4 pin (1 supply, 3 output)
- S30 : DIN43650-A type large type socket
- S31 : DIN43650-C type small type socket
- S32 : Packard socket
- S33 : Circular socket
- 2M : 2 meters cable

* Ask for other options.



Sample Order Code: BTT26-250Bar-A-G1/4-S30