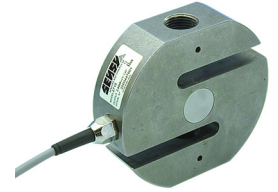


2710

## TENSION AND COMPRESSION LOAD CELL

Universal load cell combining accuracy, sturdiness and easiness to install.

- Stainless steel
- Protection IP 67
- Compact design
- Available options (non exhaustive list):
  - o ATEX Ex ia IIC T6 to T4 certified (hazardous area)
  - o Cable output by connector
  - o High service temperature (180 °C)



Model 2710 - 50 kN

The SENSY's load cell 2710 is perfectly designed to the following applications :

- Industrial force measurement
- Weighing of suspended reactors or hoppers
- Weighing of conveyor belts
- Hybrid weighbridges (mechanical conversion)

### CAPACITIES :

2710 : (5) - (7.5) - 10 - (15) - 20 - (30) - 50 kN

TECHNICAL DATA				
Accuracy class		0.1 1000 d	0.05 2000 d	0.03 3000 d
Linearity error	% F.S.	< ± 0.1	< ± 0.05	< ± 0.025
Hysteresis error	% F.S.	< ± 0.1	< ± 0.05	< ± 0.025
Non - repeatability	% F.S.	< ± 0.03	< ± 0.02	< ± 0.015
Creep error over 30 min.	% F.S.	< ± 0.06	< ± 0.04	< ± 0.025
Zero shift after loading	% F.S.	< ± 0.015	< ± 0.01	< ± 0.0075
Reference temperature	°C	23		
Nominal temperature range	°C	- 10...+ 45		
Service temperature range	°C	- 30...+ 70		
Storage temperature range	°C	- 50...+ 85		
Temperature coefficient of the sensitivity	% /10°C	< ± 0.05	< ± 0.035	< ± 0.015
Temperature coefficient of zero signal	% F.S./10°C	< ± 0.035	< ± 0.03	< ± 0.023
Nominal sensitivity	mV/V	2		
Zero balance	mV/V	± 0.02		
Sensitivity tolerance (g=9,8107 m/s <sup>2</sup> )	%	< ± 0.3	< ± 0.1	
Input / Output resistance	Ohm	351 ± 2		
Insulation resistance (50V)	MOhm	> 5000		
Nominal excitation voltage	V	5 to 10		
Nominal range of the excitation voltage	V	2...15		
Safe load limit	% F.S.	150		
Breaking load	% F.S.	> 300		
Static lateral force limit	% F.S.	100		
Permissible dynamic loading	% F.S.	60		

F.S.: full scale Specifications subject to change without notice

# LOAD CELL

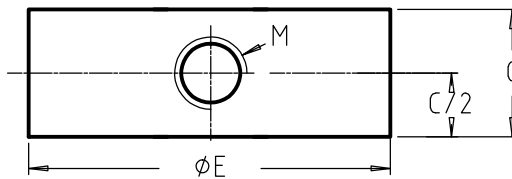
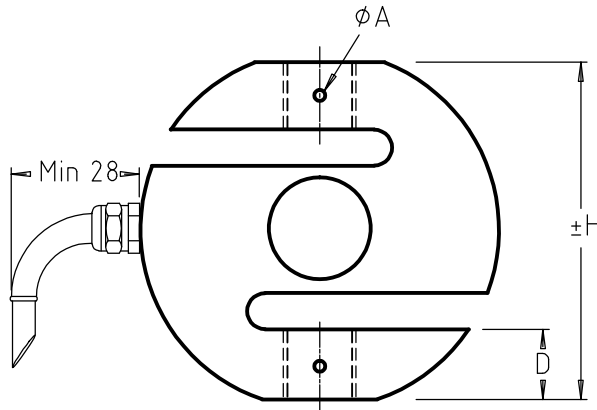
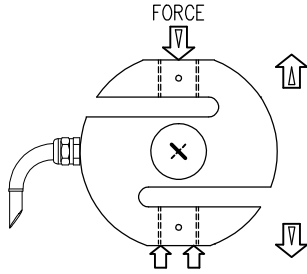
model 2710 stainless steel



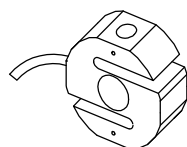
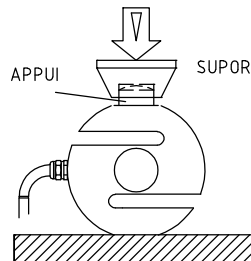
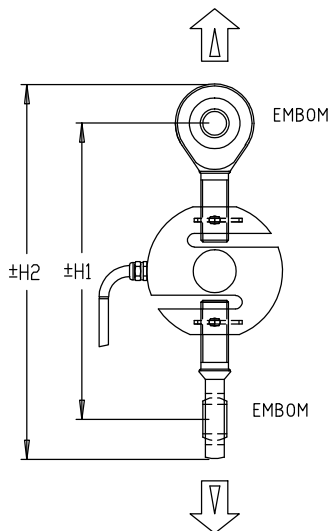
## TENSION-COMPRESSION

Range ( 5 - 50 kN )  
( 500 - 5000 kg ) IP67

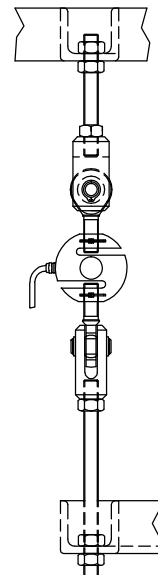
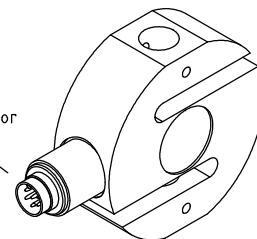
Cable length : 3 m



MODEL	CAPACITIES	ØA	H	C	D	ØE	M	H1	H2	Max.deflexion	Weight
2710	5 -15 kN	4	76	28	16	79	M16	177	222	0.30 mm	0.85 kg
2710	20-50 kN		116	38	30	128	M24x2	238	302	0.35 mm	2.6 kg



OPTION B :  
Male connector  
DIN 45322



Note: Standard wiring for compression