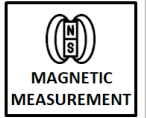
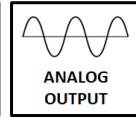
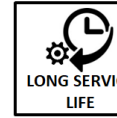




GENERAL FEATURES

- Non-contact measurement
- 12 bit resolution
- User-selectable angle values between 0-360 °
- 4-20 mA, 0-5VDC, 0-10 VDC or 0.5-4.5 VDC ratiometric output options
- Shaft diameter options between 6 mm and 16 mm
- IP67 protection class
- Long service life
- Compact design
- High accuracy



RCS 9100 series sensors are used for taking angle measurement between The measuring limits can be adjusted between 0-360 ° depending on the user request. They have 0-5V, 0-10V, 4-20mA or ratiometric output options.



RCS 9100 angle sensors with high accuracy, compact design and robust construction; offers suitable solutions for angle measurement in industrial areas like crane and lifting systems, robotic systems, solar energy, wind power plants, auto parts etc.

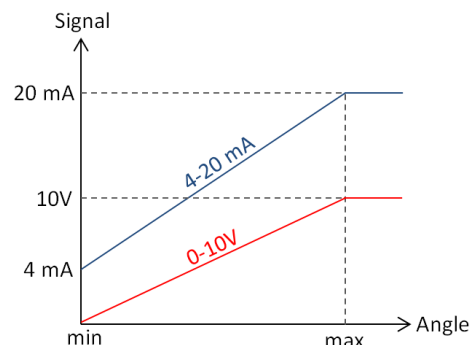
TECHNICAL SPECIFICATIONS

*Measuring Range	Can be produced in the desired range from 0 to 360 °				
Measuring Type	Magnetic, non-contact				
Linearity	±%0.5 FS				
Resolution	12 bit				
Repeatability	0.1°				
Response Frequency	250 Hz				
*Output Signal		0,5...4,5VDC Ratiometric	0...5VDC	0...10VDC	4...20 mA
	Supply Voltage	5 VDC	5 VDC or 15...32VDC	15...32 VDC	9...32 VDC
	Load	≥ 1KΩ	≥ 1KΩ	≥ 1KΩ	0...250 Ω
Reverse Polarity Protection	Yes, only supply				
Electrical Connection	3 x 0,14 mm ² shielded cable				
Max Operational Speed	120 rpm				
Protection Class	IP67				
Operating Temperature	-25°C ... +85°C				
Body Diameter	58 mm				
Shaft Diameter	Selectable between 6 mm and 16 mm				
Material	Body: Aluminum				
	Shaft: Stainless Steel				

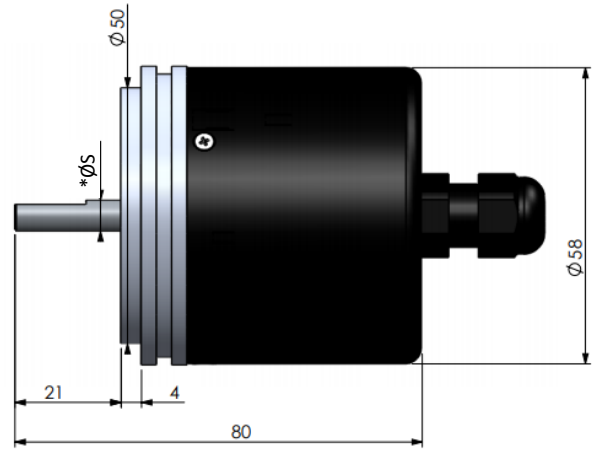
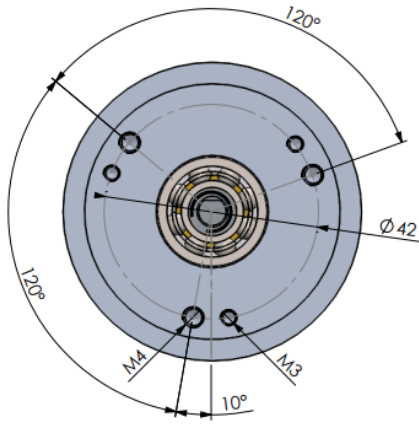
Note: The specifications specified by (*) vary depending on the model selected. The detailed code table for product selection is shown on page 3.

ELECTRICAL CONNECTION

	
SIGNAL	CABLE COLOR
+V	Red
0V	Black
Output Signal	Yellow



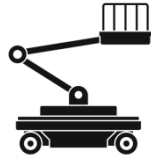
MECHANICAL DIMENSIONS (mm)



*ØS : Different options between 6 mm and 11 mm

SAMPLE APPLICATION FIELDS

- Robotic systems
- Auto parts
- Solar and photovoltaic systems
- Automated guided systems
- Crane and lifting technology
- Wind power plant



ORDER CODE

Model	Supply Voltage ⁽¹⁾	Output Signal Direction	Cable Direction	Flange Type
RCS 9100 - XXX - XXX - XX - XXX - XXX - X - XX - X	TTL: 5VDC PP: For 4-20mA output: 9...32VDC For 0-10V output: 15...32VDC For 0-5V output: 15...32VDC	CW: Clockwise CCW: Counter Clockwise	A: From backside	S: Synchro
	Angle Value The desired angle value can be requested between 0-360 °	Output Signal A : 4-20 mA V : 0-10 V V1: 0-5 V (15...32VDC supply) V8: 0.5-4.5 V Ratiometric V9: 0-5 V (5VDC supply)	Electrical Connection⁽²⁾ 0,5M: 0,5 m cable	Shaft Diameter Selectable between 6 mm and 16 mm

- (1) When the output signal is selected as 4-20 mA (A), 0-10V (V) or 0-5V (V1), the supply voltage must be PP
When the output signal is selected as 0.5-4.5V Ratiometric (V8) or 0-5V (V9), the supply voltage must be TTL.
- (2) Optionally, different cable lengths can be requested.

Sample Code: RCS 9100-075-PP-V-CW-0,5M-A-10-S

RCS 9100 series, 0-75° measuring range, PP supply, 0-10V output, Output signal direction is clockwise, 0.5 m cable from backside, 10 mm shaft diameter, Synchro flange

Atek Elektronik Sensör Teknolojileri Sanayi ve Ticaret A.Ş.



Gebze OSB, 800. Sokak, No:814 Gebze/KOCAELİ/TURKEY



Tel: +90 262 673 76 00



Fax: +90 262 673 76 08



www.ateksensor.com



info@ateksensor.com