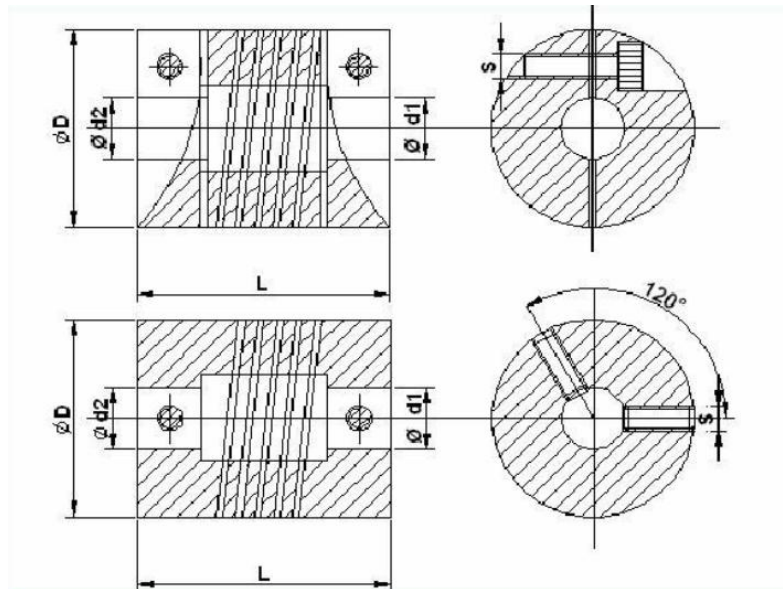




- One Piece Construction
- Aluminium Body
- High Torque and Long Life
- 6-6, 8-8, 6-8, 8-10 mm and Other Models
- Constant Velocity Transmission
- Set Screw

### Mechanical Dimensions



### Order Code

### Model

H C - X X - X - X - L = X X

### Outside Diameter

16: 16 mm  
20: 20 mm  
25: 25 mm

### Major and Minor Bore Size

6-6 : 6mm - 6mm  
8-8 : 8mm - 8mm  
10-10 : 10mm - 10mm (Only 25 mm Body Diameter Models)  
6-8 : 6mm - 8mm  
8-10 : 8mm - 10mm (Only 25 mm Body Diameter Models)

### L = Length

24 = 24 mm  
28 = 28 mm  
32 = 32 mm