

5000M-WI

DYNAMOMETRIC SHACKLE WITH RADIO TRANSMISSION

Wireless load measuring shackle designed to measure a tension force.

Model 5000M-WI



Features

- Sturdy design
- Easy to install
- Load pin : Stainless steel
- Standard dimensions
- Full range of reception electronics
- Frequencies : from 2,4000 to 2,4835 GHz
- Power : 10 mW, license : Exempted
- Range : 500 m open field
- Antenna : integrated
- Ability to stand by
- Ability of activation by radio
- Remote control of the batteries

Available options (non exhaustive list)



Up to 800 m

Applications

The dynamometric shackle 5000M-WI is perfectly designed for following applications :

- SL - HOIST : Load indication on hoisting devices and EOT cranes
- SL - FORCE : Industrial weighing / Force measurement on test bench

Capacities

- from 1 to 400t (dimensions : see next page)
- from 500t to 2000t (dimensions on request)

| Specifications | SL - FORCE | SL - HOIST | |
|--|--------------------------|--------------------------|-------------|
| Repeatability error | < ± 0.25 | < ± 0.25 | % F.S.* |
| Linearity error | < ± 0.5 | < ± 1 | % F.S.* |
| Creep error over 30 min. | < ± 0.3 | < ± 0.3 | % F.S.* |
| Reference temperature | 23 | 23 | °C |
| Nominal temperature range | -10...+45 | -10...+45 | °C |
| Service temperature range | -25...+70 | -25...+70 | °C |
| Storage temperature range | -50...+85 | -50...+85 | °C |
| Temperature coefficient of the sensitivity | < ± 0.2 | < ± 0.2 | % F.S./10°C |
| Temperature coefficient of zero signal | < ± 0.2 | < ± 0.2 | % F.S./10°C |
| Nominal sensitivity | 1.5 | 1 | mV/V |
| Safe load limit | 150 | 200 | % F.S.* |
| Breaking load | > 300 | > 500 | % F.S.* |
| Static lateral force limit | 100 | 150 | % F.S.* |
| Permissible dynamic loading | 50 | 75 | % F.S.* |
| Reference excitation voltage. | 3 VDC (2 x AA batteries) | 3 VDC (2 x AA batteries) | - |
| Consumption | 65 mA | 65 mA | - |
| Current @ stand-by mode | 20 | 20 | µA |
| Autonomy @ normal mode (2 batteries) | 1 month | 1 month | - |
| Autonomy @ 12 x 5mn/day mode (2 D batteries) | 2 | 2 | years |

* F.S.: full scale.

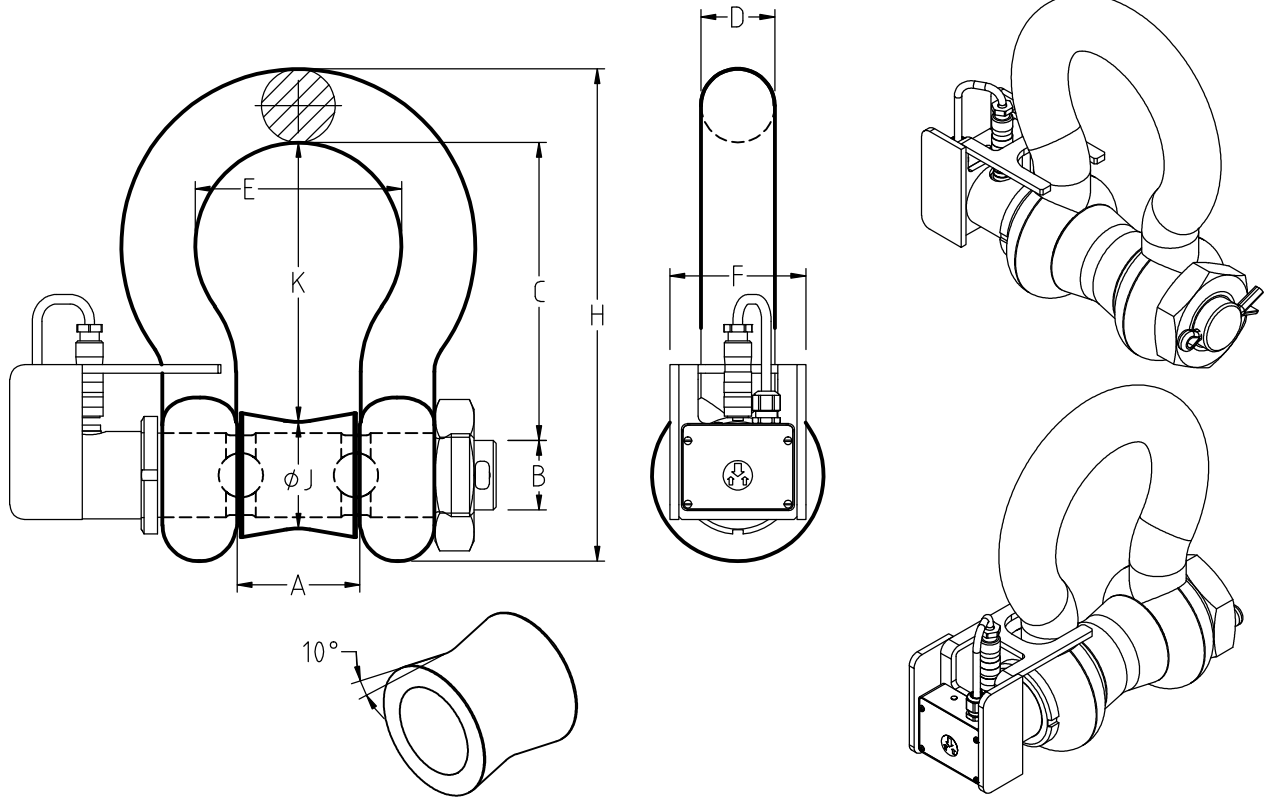
Specifications subject to change without notice.

LOAD MEASURING SHACKLES

model 5000M-WI

AXLE IN STAINLESS STEEL

Range 1 - 400t WIRELESS IP65



| SIZE | CAPACITIES | | A | B | C | D | E | F | H | φJ | K | TOLERANCES ± | | Total Weight(kg) |
|---------|------------|---------|-----|-----|-----|-----|-----|------|------|------|-----|--------------|-----|------------------|
| | HOISTING | FORCE | | | | | | | | | | C & K | A | |
| 3/4" | 1 - 1.5t. | 2 - 4t. | 31 | 22 | 75 | 19 | 51 | 46 | 126 | 34 | 65 | 6.5 | 1.6 | 3 |
| 7/8" | 2.5t. | 6t. | 36 | 25 | 84 | 22 | 58 | 53 | 148 | 35.5 | 79 | | | 3.5 |
| 1" | 4 t. | 8 t. | 43 | 28 | 95 | 25 | 68 | 60.5 | 167 | 37 | 90 | | | 4 |
| 1 1/8" | 5 t. | 9 t. | 46 | 32 | 108 | 28 | 74 | 68.5 | 190 | 40 | 104 | | 5 | |
| 1 3/8" | 6.3 t. | 11 t. | 57 | 38 | 133 | 35 | 92 | 85 | 233 | 50 | 127 | | 8.5 | |
| 1 1/2" | 8 t. | 12 t. | 60 | 42 | 146 | 38 | 99 | 92 | 254 | 54 | 140 | | 12 | |
| 1 3/4" | 12 t. | 16 t. | 73 | 50 | 178 | 45 | 127 | 106 | 313 | 65 | 171 | | 19 | |
| 2" | 20 t. | 32 t. | 83 | 57 | 197 | 50 | 138 | 122 | 348 | 72 | 189 | | 28 | |
| 2 1/2" | 30 t. | 40 t. | 105 | 70 | 264 | 65 | 180 | 145 | 453 | 90 | 250 | | 52 | |
| 3" | 45 t. | 70 t. | 127 | 80 | 330 | 75 | 190 | 165 | 546 | 105 | 319 | | 96 | |
| 3 3/4" | 75 t. | 87 t. | 147 | 95 | 400 | 95 | 238 | 203 | 647 | 117 | 389 | 150 | | |
| 4" | 80 t. | 115 t. | 140 | 108 | 368 | 104 | 254 | 229 | 653 | 130 | 357 | 207 | | |
| 4 7/8" | 115 t. | 200 t. | 200 | 140 | 540 | 130 | 305 | 308 | 921 | 165 | 527 | / | / | 340 |
| 5 5/16" | 150 t. | 300 t. | 200 | 150 | 600 | 140 | 305 | 335 | 1018 | 180 | 585 | / | / | 350 |
| 6 1/2" | 200 t. | 400 t. | 225 | 175 | 650 | 170 | 325 | 387 | 1137 | 200 | 630 | / | / | 585 |

Other capacities : On request