



### GENERAL FEATURES

- Suitable for measuring the length and speed of the target moving with its wheeled structure
- Output waveform according to measurement distance, suitable for international measurement units
- Spring system to compensate for uneven parts of the measuring surface
- Wide variety of mounting possibilities thanks to the spring lever
- 250 or 256 mm wheel circumference
- 3000 RPM operating speed
- 300 kHz response frequency
- High accuracy
- Robust structure, long service life
- Easy mounting

### APPLICATIONS

- Measuring position, velocity and path in linear motion applications
- Various packing machines
- Sheet manufacturing
- Textile machinery and general industrial machinery
- Conveyor bands
- Wood industry

### TECHNICAL FEATURES

#### Electrical Specifications

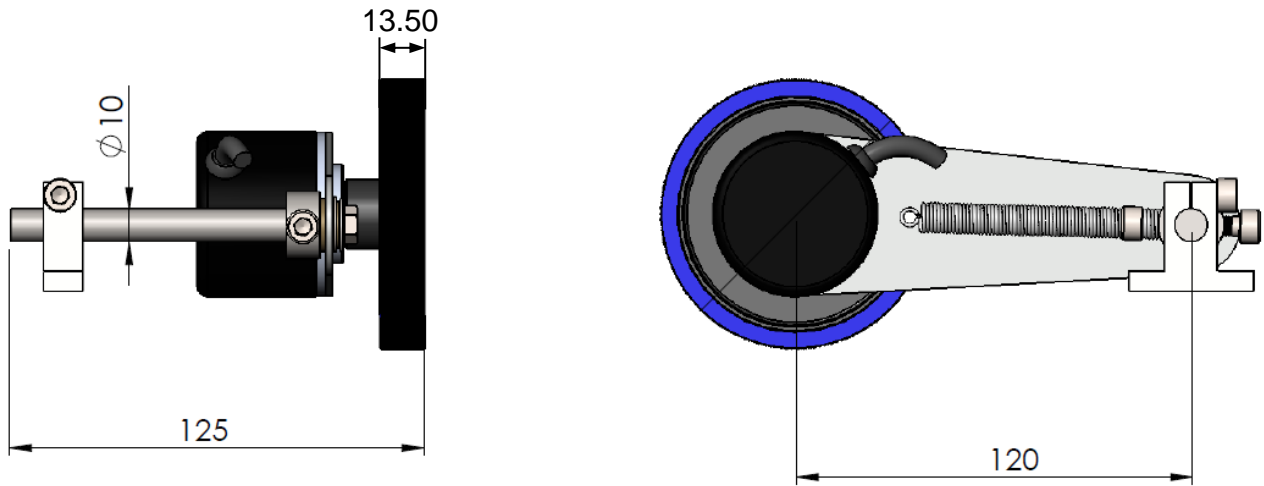
<b>Resolution</b>	Refer to resolution table (page 2)						
<b>*Electrical Interface</b>		<b>PP</b>	<b>TTL</b>	<b>HTL</b>	<b>HPL</b>	<b>OCL</b>	<b>OCP</b>
	<b>Supply</b>	10...30 VDC	5 VDC	10...30 VDC	5...30 VDC	The supply signal should not be lower than the output signal	
	<b>Output</b>	10...30 VDC PP	5 VDC TTL	5 VDC TTL	5...30 VDC PP	NPN Open Collector	PNP Open Collector
<b>*Output Signals</b>	A, /A, B, /B, Z, /Z						
<b>Response Frequency</b>	300 KHz						
<b>Current Consumption</b>	50 mA nominal						
<b>Output Current</b>	100 mA max. (per channel)						
<b>*Electrical Connection</b>	5 or 8x0,14 mm <sup>2</sup> shielded cable M16 / 8 pin male connector						

#### Mechanical Specifications

<b>Wheel Circumference</b>	250 mm	256 mm
<b>Wheel Diameter</b>	79,6 mm	81,5 mm
<b>Starting Torque</b>	Depend on coefficient of friction	
<b>Operating Speed</b>	3000 RPM max.	
<b>Operating Temp.</b>	-25...+85 °C	
<b>Storage Temp.</b>	-40...+100 °C	
<b>Ambient Humidity</b>	%35...%85 RH	
<b>Protection Class</b>	IP54	

**Note:** The specifications indicated by (\*) vary according to the model selected. The detailed code table for product selection is shown on page 2.

## MECHANICAL DIMENSIONS (mm)

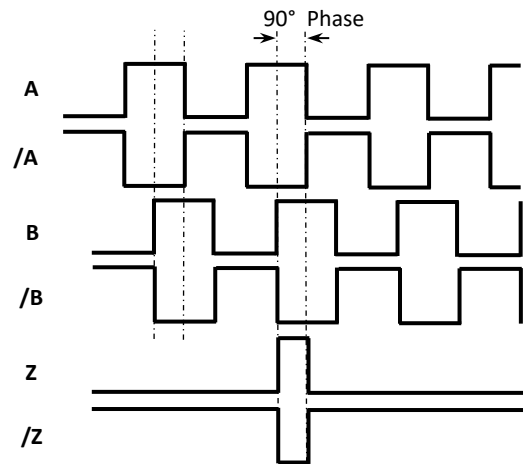


## RESOLUTION

The Number of Encoder Pulse	Gear Ratio	Wheel Circumference	Resolution (Moving distance per 1 pulse)
5000 pulse	1:1	250mm	0,05mm/pulse
2500 pulse	1:1	250mm	0,1mm/pulse
1000 pulse	1:1	250mm	0,25mm/pulse
500 pulse	1:1	250mm	0,5mm/pulse
250 pulse	1:1	250mm	1mm/pulse
50 pulse	1:1	250mm	5mm/pulse
25 pulse	1:1	250mm	10mm/pulse
10 pulse	1:1	250mm	25mm/pulse
1 pulse	1:1	250mm	250mm/pulse
1024 Pulse	1:1	256mm	0,25mm/pulse
512 Pulse	1:1	256mm	0,5mm/pulse
256 Pulse	1:1	256mm	1mm/pulse

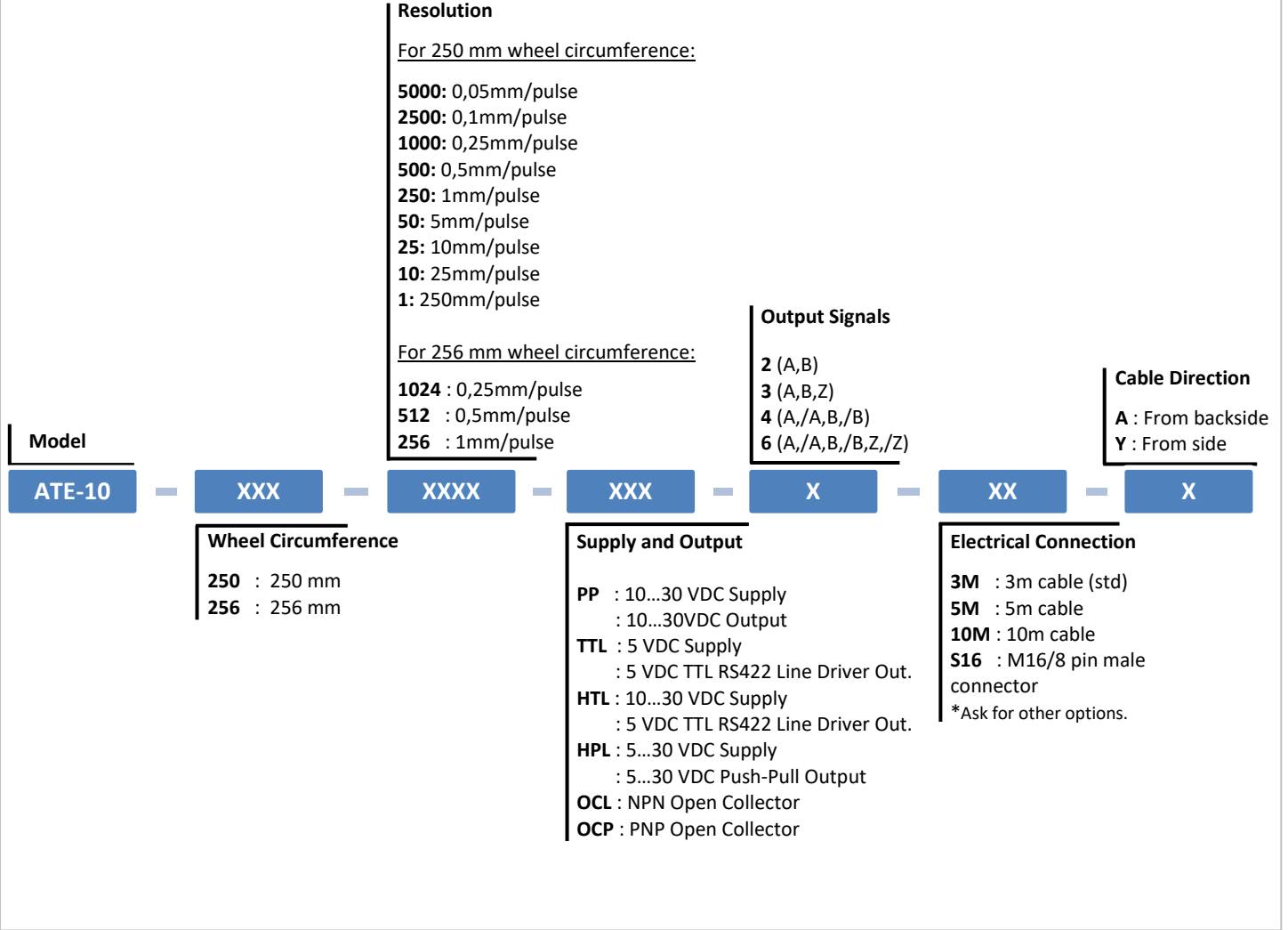
## ELECTRICAL CONNECTIONS

SIGNAL	M16/8 PIN MALE CONNECTOR PIN NO	CABLE COLOR
A	1	YELLOW
/B	2	WHITE
+V	3	RED
0 V	4	BLACK
/A	5	BLUE
B	6	GREEN
/Z	7	GREY
Z	8	PINK



The table above shows the cable colors of the sensor output signals. If the control circuit is suitable in the Line Driver sensors of the not output signals (/A, /B, /Z) have to be added to the system. If it is not suitable /A, /B, /Z signal cables must be fixed as insulated separately. Don't forget that these edges have electricity too.

## ORDER CODE



Atek Elektronik Sensör Teknolojileri Sanayi ve Ticaret A.Ş.



Gebze OSB, 800. Sokak, No:814 Gebze/KOCAELİ/TURKEY



Tel: +90 262 673 76 00



Fax: +90 262 673 76 08



www.ateksensor.com



info@ateksensor.com