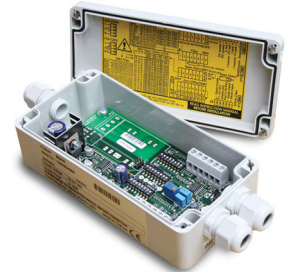


COND-SGA

CONDITIONER - AMPLIFIER FOR STRAIN-GAGE BASED TRANSDUCERS

The conditioner - amplifier COND-SGA provides normalised signals in current and voltage from every load cells, force transducers and torque sensors based on the strain-gauge technology.



COND-SGA

Input Signal	Full Wheatstone bridge		
	From 0.1 to 30 mV/V		
	Transducer excitation	5 or 10 VDC (Zmin : 85 Ω)	
	Adjusting range of gain	from 35 to 10000	
	Adjusting range of zero	from 0 to 79 %	
Output signal	0..10 VDC	(load ≥ 5 kΩ)	
	-10..0..+10 VDC	(load ≥ 5 kΩ)	
	0..20 mA	(load ≤ 500 Ω) - (source or sink mode)	
	4..20 mA	(load ≤ 500 Ω) - (source or sink mode)	
Accuracy	Non-linearity	± 0.03% of full scale	
	Zero temperature coefficient	Typical	± 0.002 %/°C of full scale @ 2.5 mV/V
		Maximum	± 0.009 %/°C of full scale @ 2.5 mV/V
	Span temperature coefficient	Typical	± 0.007 %/°C of signal
		Maximum	± 0.01 %/°C of signal
Band width	0..6 kHz		
Low pass filter	1, 5, 10, 50, 100, 500, 800, 1000 or 5000 Hz (switchable range)		
Operating temperature	- 10°C.. +50°C		
Adjustment	Zero point and full scale by internal dip-switches and potentiometers With internal shunt calibration resistor of 120 kΩ		
Power supply	COND-SGA-D	18 to 24 VDC*	
	COND- SGA-A	115 and 230 VAC (50/60 Hz) + 18 to 24 VDC*	
	* 18 V max at full load		
Consumption	5 VA		
Enclosure	ABS case 160 x 80 x 55 mm sealed to IP65 and fitted with 3 cable glands Weight: 0.28 kg		

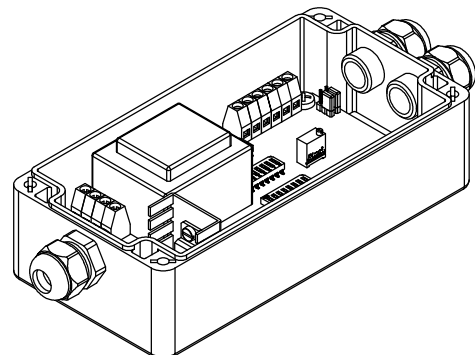
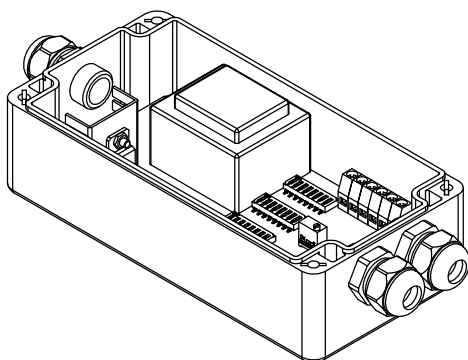
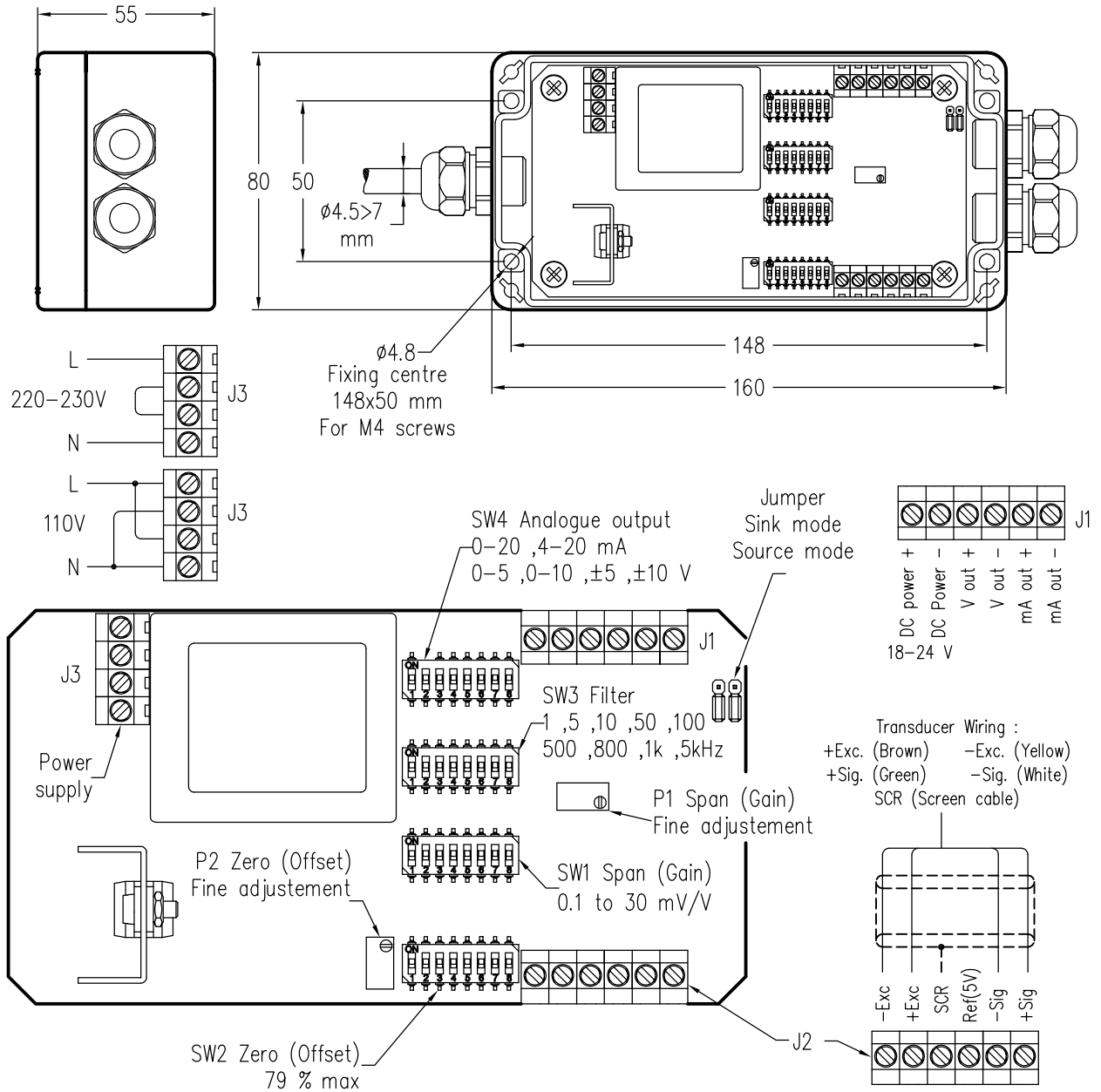


AMPLIFIER – CONDITIONER

model COND SGA-A



The COND SGA-A (amplifier and transmitter) provides a normalized signal (0-5, 0-10, ±5, ±10V / 0-20, 4-20 mA) from one to four transducers
Power supply 110-230 VAC or 18-24 VDC - IP 65 enclosure ABS





AMPLIFIER – CONDITIONER

model COND SGA-D



The COND SGA-D (amplifier and transmitter) provides a normalized signal (0-5, 0-10, ±5, ±10V / 0-20, 4-20 mA) from one to four transducers
 Power supply 18-24 VDC - IP 65 enclosure ABS

