



GENERAL FEATURES

- For potentiometric output: 345°, 350°, 355°
For analog output: 30°, 45°, 90°, 120°, 150°, 180°, 270°, 345°, 350° electrical angle
- 6 mm or 6,34 mm shaft diameter
- 50.8 mm body diameter
- Potentiometric, 0-10V, 4-20 mA or 0-20mA output
- High linearity up to $\pm 0.5\%$
- Long life up to 5 million movements
- Resolution better than $0,1^\circ$
- IP40 protection class
- No mechanical rotation limitation

APPLICATION FIELDS

- Textile machinery
- Automatic door control systems
- Automotive
- All kinds of control and measurement applications

TECHNICAL FEATURES

Electrical Data

| | | |
|---------------------------|---|---|
| Independent Linearity | $\pm 0.5\%$ | |
| Repeatability | 0.1° max. | |
| Output Type | Potentiometric | 0-10V, 4-20 mA, 0-20 mA |
| Electrical Angle | 345°, 350°, 355° | 30°, 45°, 90°, 120°, 150°, 180°, 270°, 345°, 350° |
| Supply Voltage | 42V max. | 12...30 VDC |
| Resistance Values | 1K, 2K, 5K, 10K | - |
| Resistance Tolerance | $\pm 20\%$ | - |
| Resistance Element | Resistive carbon | - |
| Resolution | Infinite | 12 bit |
| Recommended Wiper Current | 100 μ A max. | - |
| Minimum Life (electrical) | 10 million movements | |
| Electrical Connection | 3x0,102 mm ² soft PVC cable (standard 1m, optional others) | |

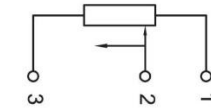
Mechanical Data

| | |
|---------------------------|---------------------------------|
| Dimensions | See mechanical dimensions table |
| Size | Servo size 20 |
| Mounting | With 3 clamps |
| Mechanical Angle | 360°, continuous |
| Torque | 0.5 Ncm max. |
| Maximum Operational Speed | 1000 RPM |
| Minimum Life (mechanical) | 5 million movements |
| Body Material | Aluminum |
| Shaft Material | Stainless Steel |
| Operating Temperature | -25°C ... +75°C |
| Storage Temperature | -25°C ... +105°C |
| Protection Class | IP40 |
| Weight (with 1 m cable) | 80 gr |

ELECTRICAL CONNECTIONS

Potentiometer Connection

| SIGNAL | CABLE COLOR |
|-----------------------|-------------|
| +V | Green (1) |
| Potentiometric output | Red (2) |
| -V | Yellow (3) |



Potentiometer connection
(voltage divider)

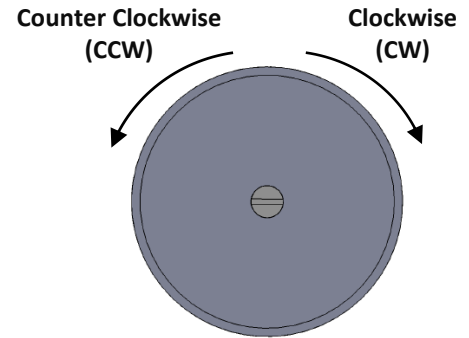
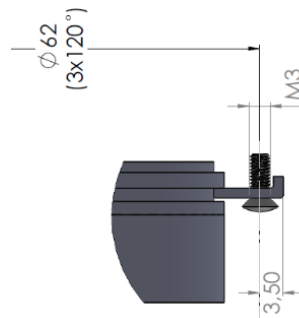
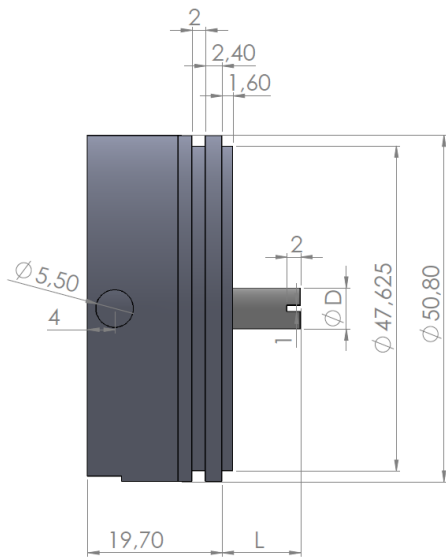
0-10V Connection

| SIGNAL | CABLE COLOR |
|---------------|-------------|
| +VDC | Green |
| Analog Output | Red |
| -VDC | Yellow |

4-20mA or 0-20 mA Connection (2-wire)

| SIGNAL | CABLE COLOR |
|---------------|-----------------|
| +VDC | Red |
| Analog Output | Green Yellow |

MECHANICAL DIMENSIONS (mm)



| | | |
|---------|------------------|------------------|
| ∅D (mm) | 6 | 6,34 |
| L (mm) | 11,50 or 21,6 mm | 15,90 or 21,6 mm |

ORDER CODE

Angle

For Analog: For Potentiometric:

| | | | |
|-----|--------|-----|--------|
| 30 | : 30° | 345 | : 345° |
| 45 | : 45° | 350 | : 350° |
| 90 | : 90° | 355 | : 355° |
| 120 | : 120° | | |
| 150 | : 150° | | |
| 180 | : 180° | | |
| 270 | : 270° | | |
| 345 | : 345° | | |
| 350 | : 350° | | |

Cable Length

1M: 1 meters (standard)
*Optional others

Output Type

No Code: Potentiometric
A0: 0-20 mA (CW)
NA0: 0-20 mA (CCW)
A: 4-20 mA (CW)
NA: 4-20 mA (CCW)
V: 0-10 V (CW)
NV: 0-10 V (CCW)
*CW: Clockwise
CCW: Counter Clockwise

Model

| ERP | - | XXX | - | XXX | - | XX | - | XXX | - | XX | - | XXX |
|-----|---|----------------------|---|-----|---|--|---|-----|---|--|---|-----|
| | | Body Diameter | | | | Resistance Value | | | | Shaft Diameter | | |
| | | 50: 50.8 mm | | | | 1K: 1K 2K: 2K 5K: 5K 10K: 10K | | | | 6: 6mm (shaft length:11,5 mm) 6B: 6mm (shaft length: 21,6 mm) 6.34: 6.34mm (shaft length:15,9 mm) 6.34B: 6.34mm (shaft length: 21,6 mm) | | |