

MAGNESCALE

digital counter for digital gauges



Series LT10A, LT11A, LT30

Key-Features:

- For digital gauge series DK and DK800S
- LT10A: maximum resolution 5 μm
- LT11A: maximum resolution 1 μm
- LT30: maximum resolution 0.1 μm
- Current, maximum/minimum and P-P value measuring function
- Comparator function
- Models with 1 or 2 axis
- 2 axis ADD/SUB function
- Models with BNC or RS232 interface
- Data storage

Content:

MAGNESCALE COUNTERS FOR DIGITAL GAUGE DT SERIES

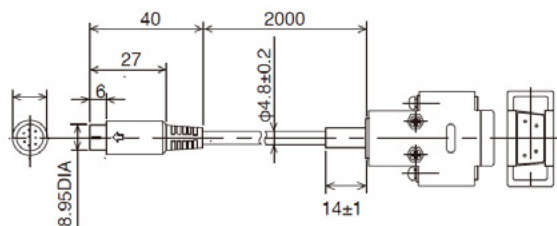
	LT10A		LT11A	
Connectable digital gauges	DT12, DT32		DT512	
Standard (without interface)	LT10A-105 (1 channel model)	LT10A-205 (2 channel model)	LT11A-101 (1 channel model)	LT11A-201 (2 channel model)
With BCD interface	LT10A-105B (1 channel model)	LT10A-205B (2 channel model)	LT11A-101B (1 channel model)	LT11A-201B (2 channel model)
With RS232 interface	LT10A-105C (1 channel model)	LT10A-205C (2 channel model)	LT11A-101C (1 channel model)	LT11A-201C (2 channel model)
LCD display	5 digit backlit LCD		5 digit backlit LCD	
Resolution	5/ 10 μm, selectable		1/ 5/ 10 μm, selectable	
Direction	can be switched		can be switched	
Alarm function	measuring unit not connected, excess speed, display-digit overflow			
Data storage	resolution, direction, comparator points, preset values, working mode			
ADD/ SUB-Function	-	model LT10-2xx: A+B, A-B, B-A	-	model LT11-2xx: A+B, A-B, B-A
Working temperature	0...+40 °C			
Storage temperature	-10...+50°C			
Weight	220 g to 270 g (depending on the model)			
Power consumption	1,8 W to 4 W (depending on the model)			
Power supply	power input connector (3 pins): 9.0 to 26.4 VDC			

MAGNESCALE COUNTERS FOR DIGITAL GAUGE DK SERIES

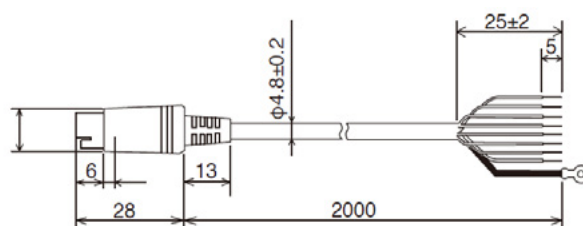
	LT30A	
Connectable digital gauges	all models of the DK and DK800S series	
Number of channels	1	2
Standard (without interface)	LT30-1G	LT30-2G
With BCD interface	LT30-1GB	LT30-2GB
With RS232 interface	LT30-1GC	LT30-2GC
LCD display	5 digit backlit LCD	
Resolution	0,1 / 0,5 / 1 / 5 / 10 μm, selectable	
Maximum response frequency	20 MHz (at A/B phase difference)	
Direction	can be switched	
ADD/ SUB-function	-	selectable between A+B, A-B,B-A
Alarm function	measuring unit not connected, excess speed, display-digit overflow	
Data storage	resolution, direction, comparator points, , preset values, working mode	
Working temperature	0...+40 °C	
Storage temperature	-10...+50°C	
Weight	200 g to 230 g (depending on the model)	
Power consumption	5 W to 9 W (depending on the model)	
Power supply	power input connector (3 pins): 9.0 to 26.4 VDC	

CONNECTION CABLE FOR RS232 INTERFACE

Connection cable DZ252 for LT Counter with RS232 Interface
for a connection to a PC, RS232 input-card, etc.
round 8 PIN male to SUB-D 9 pole female

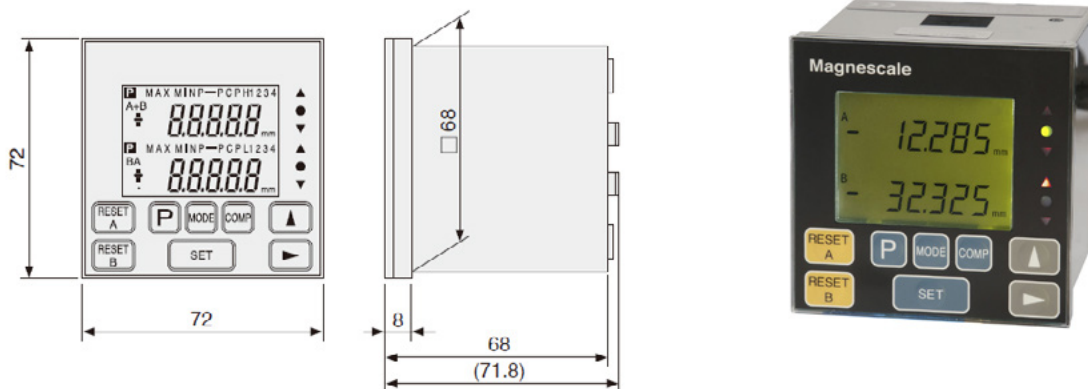


Connection cable DZ254 for LT Counter with RS232 Interface
round 8 PIN male to open end

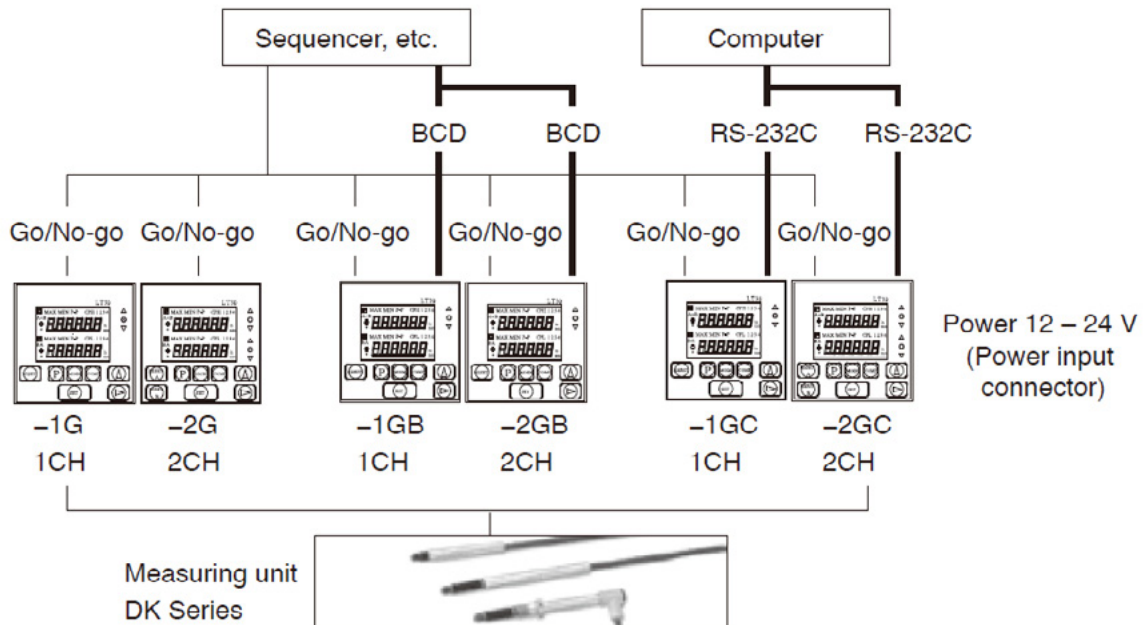


TECHNICAL DRAWING

LT10A, LT11A, LT30A



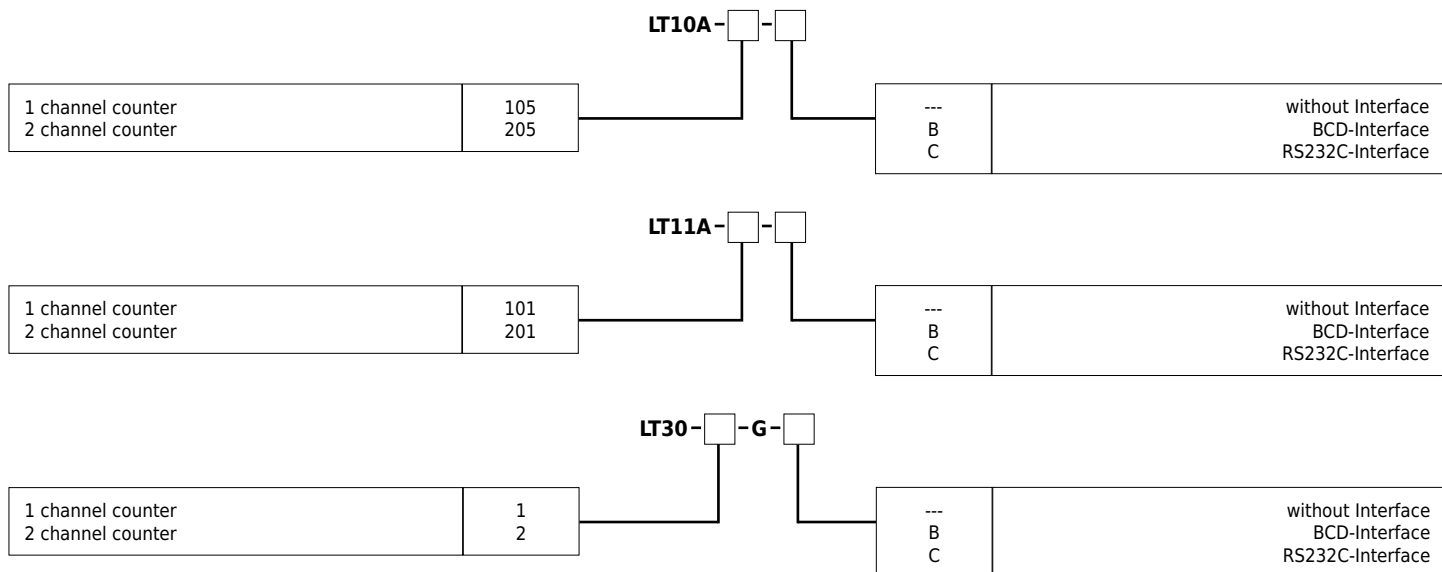
System configuration



CONTROL FUNCTIONS

- Preset function Key operation, or for RS232 model also command via RS232
- Reset Reset can be made by key operation or external reset input.
- Comparator function no interface: A set of upper and lower limits is settable.
BCD: Four sets of upper and lower limits are settable.
RS232: A set of upper and lower limits is settable.
- Peak hold function 1 channel model: Peak calculation (max/ min, and peak-to-peak values) is possible
2 channel model: Peak calculation of each axis or addition/subtraction value is possible.
- Restart function 1 channel model: Starts peak hold calculation of each axis. Operation is made by external input.
2 channel model: Starts peak hold calculation of each axis. Operation is made by external input (for each axis).
- Hold function (latch and pause) Latch = display and output holding
Pause = peak calculation holding

ORDER CODE



OVERVIEW MAGNESCALE MODELS

LT10A-105	for DT12/DT32
LT10A-105B	for DT12/DT32
LT10A-105C	for DT12/DT32
LT10A-205	for DT12/DT32
LT10A-205B	for DT12/DT32
LT10A-205C	for DT12/DT32
LT11A-101	for DT512
LT11A-101B	for DT512
LT11A-101C	for DT512
LT11A-201	for DT512
LT11A-201B	for DT512
LT11A-201C	for DT512

LT30-1G	for DK Serie
LT30-1GC	for DK Serie
LT30-1GB	for DK Serie
LT30-2G	for DK Serie
LT30-2GC	for DK Serie
LT30-2GB	for DK Serie

ACCESSORIES

Connection cable

DZ252 round 8 PIN male to SUB-D 9 pole female

Subject to change without prior notice.