



- Long-term perfect work
- Flush diaphragm body construction made of stainless steel
- EMC and Reverse Polarity Protection
- 4...20mA or 0...10VDC analog output
- 1 BAR to 400 BAR and different pressure values between 100 mbar and 600 mbar
- Stock delivery immediately
- Good price, economic solution

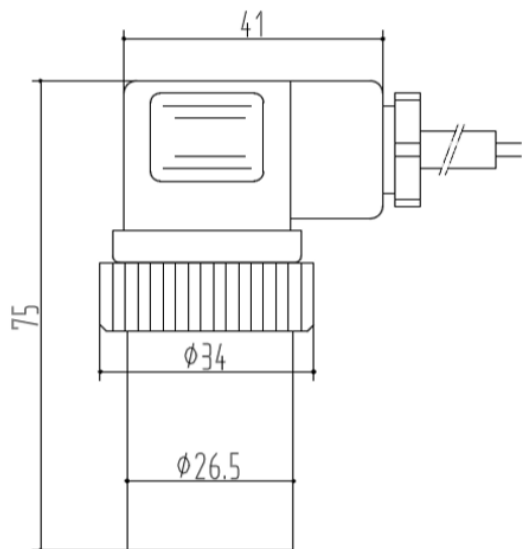
TECHNICAL SPECIFICATIONS

Measurement Range	1 BAR to 400 BAR and different pressure values between 100 mbar and 600 mbar
Overpressure	300%F.S. (≤0.7bar), 200%F.S. (≤100bar)
Output Signal	4...20mA (2-wire) , 0...10VDC (3-wire)
Mechanical Connection	G1, G1/2
Electrical Connection	DIN43650 Female Socket
Supply Voltage	24VDC
Accuracy	±0.5%F.S.
Operation Temp.	-40°C... +85°C
Storage Temp.	-40°C... +125°C
Vibration	20g (20~500 Hz)
Shock	100g (11ms)
Insulation Resistance	100MΩ/250VDC
Response Time	≤1ms (up to 90%F.S)
Long-term Stability	≤0.2%F.S./year
Medium Compatibility	All the liquids and gases compatible with the diaphragm
Protection Class	IP65
Housing Material	Stainless Steel 304 (SS316 diaphragm)
Weight	180 gr

SECTORS USED

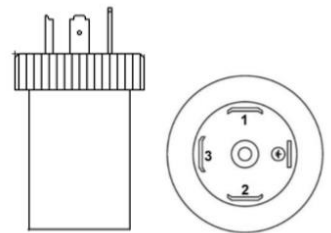
- Food
- Chemistry
- Level Control

MECHANICAL DIMENSIONS



Pin No	Signal
2 Wire 4-20mA Connection	
1	+24VDC Supply
2	4...20mA Analog Output

Pin No	Signal
3 Wire 0-10VDC Connection	
1	+24VDC Supply
2	GND
3	0...10VDC Analog Output



MECHANICAL CONNECTION

Connection	G1/2	G1
Dimensions (mm)		

ORDER DETAIL

Model No

BT	-	10	-	214S	-	1BAR	-	A	-	G1
Analog Output 10 Series: 4-20mA Output 20 Series: 0-10VDC Output		Diaphragm Model 214S Series: Flush Diaphragm ** At the order stage, the mechanical thread size should be specified as G1/2 or G1.			Pressure Value Different pressure values Between 1BAR and 400BAR and Between 100mbar and 600mbar		Analog Output A : 4-20mA Output V : 0-10VDC Output		Mechanical Conn. G1 : G1 connection G1/2 : G1/2 connection	

Atek Sensor Technologies A.S.



Tuzla KOSB Organize Sanayi Bolgesi Melek Aras Bulvari, No:67 34956 Tuzla-Istanbul / TURKEY



Tel: +90 216 399 44 04



Fax: +90 216 399 44 02



www.ateksensor.com



info@ateksensor.com