



- Piezoresistive silicon pressure sensor produced by MEMS technology
- M20x1.5, G1/2, G1/4, G1/4 female, NPT1/4, NPT1/4 female, M12X1 and R1/4 female mechanical connection options
- Long life, excellent stability for many years
- EMC, short circuit and reverse polarity protection
- 4...20mA, 0...5VDC or 1...5VDC analog output options
- High Sensitivity: 0,5% FS
- Easy installation

BFT 210 Differential Pressure Transmitter is produced using an oil-filled OEM piezoresistive silicon differential pressure sensor. It has strong corrosion resistance with its stainless steel body. The two pressure ports are threaded and can be mounted directly on the measuring pipe or connected through the pressure pipe. It also has standard analog voltage and current output options. These sensors are generally used in process control, aerospace, automotive, medical equipment, HVAC etc. used in areas.

## TECHNICAL SPECIFICATIONS

<b>Differential pressure measuring range</b>	Different options from 100 mBar to 25 Bar
<b>Input pressure</b>	Up to 0-200 Bar
<b>Supply and Output</b>	4~20mA (16~36VDC) 1~5V, 0~5V (12~36VDC)
<b>Mechanical connection</b>	M20x1.5, G1/2, G1/4, G1/4 female, NPT1/4, NPT1/4 female, M12X1, R1/4 female
<b>Electrical connection</b>	DIN43650 female connector
<b>Accuracy</b>	0,5%FS
<b>Response time</b>	1 ms (up to 90%FS)
<b>Service life</b>	≥ 10x10 <sup>6</sup> pressure cycles
<b>Operating temperature</b>	-10°C ... +70°C
<b>Storage temperature</b>	-40°C ... +125°C
<b>EMC-interference</b>	IEC 61000-6-3
<b>EMC-immunity</b>	IEC 61000-6-2
<b>Insulation resistance</b>	200MΩ/250VDC
<b>Shock resistance</b>	100g(11ms)
<b>Material</b>	Stainless Steel 304
<b>Max. mounting torque</b>	25Nm
<b>Protection class</b>	IP65
<b>Weight</b>	470 grams

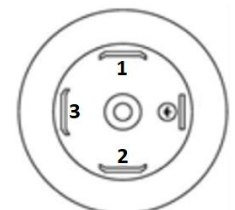
## ELECTRICAL CONNECTIONS

### 0-5VDC or 1-5VDC Connections (3-wire)

Pin No	Signal
1	+VDC Supply
2	GND
3	0...5VDC / 1...5VDC Analog Output

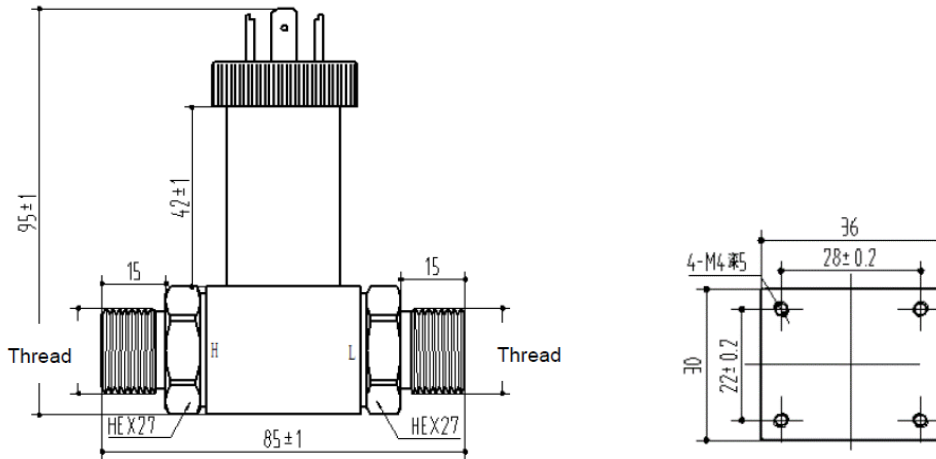
### 4-20mA Connections (2-wire)

Pin No	Signal
1	+VDC Supply
2	4...20mA Analog Output



DIN43650 Connector

## MECHANICAL DIMENSIONS (in mm)



## MECHANICAL CONNECTIONS

Connector	M20x1.5-6g	G1/2	G1/4
Dimensions (mm)			
Recommended Torque	15~25Nm	15~25Nm	15~25Nm
Connector	NPT1/4, Z1/4	G1/4 Female	NPT1/4 Female
Dimensions (mm)			
Recommended Torque	15~25Nm	15~25Nm	15~25Nm
Connector	M12x1	R1/4 Female	
Dimensions (mm)			
Recommended Torque	15~25Nm	15~25Nm	

## PRESSURE RANGE SELECTION

Pressure Range Code	Pressure Range	Positive Overpressure	Negative Overpressure
0,1B	0 ~ 0,1 bar	300%FS	300%FS
0,2B	0 ~ 0,2 bar	300%FS	300%FS
0,35B	0 ~ 0,35 bar	300%FS	300%FS
0,7B	0 ~ 0,7 bar	300%FS	300%FS
1B	0 ~ 1 bar	300%FS	300%FS
2B	0 ~ 2 bar	300%FS	300%FS
2.5B	0 ~ 2.5 bar	200%FS	200%FS
5B	0 ~ 5 bar	200%FS	200%FS
6B	0 ~ 6 bar	200%FS	200%FS
10B	0 ~ 10 bar	200%FS	150%FS
16B	0 ~ 16 bar	200%FS	150%FS
25B	0 ~ 25 bar	200%FS	150%FS

## ORDER CODE

### Model

**BFT10-210** : Current output  
**BFT20-210** : Voltage output

**BFTXX- 210**

**25B**

### Pressure

Different options from 100 mBar to 25 Bar

### Output Signal

V1 : 0-5 VDC Analog Voltage  
A : 4-20 mA Analog Current  
\*Please ask for other options.

**A**

### Electrical Connection

S : DIN43650 Female Connector  
\*Please ask for other options.

**S**

### Mechanical Connection

M20x1,5  
G1/2  
G1/4  
G1/4 Female  
NPT1/4  
NPT1/4 Female  
M12x1  
R1/4 Female

Atek Elektronik Sensör Teknolojileri Sanayi ve Ticaret A.Ş.



Gebze OSB, 800. Sokak, No:814 Gebze/KOCAELİ/TURKEY



Tel: +90 262 673 76 00



Fax: +90 262 673 76 08



www.ateksensor.com



info@ateksensor.com