

5950

## LOW PROFILE COMPRESSION LOAD CELL

Load cell combining high capacity, low design and cost effective solution.

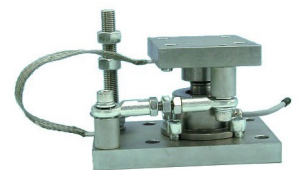
- Stainless steel
- Protection IP 67
- Low design
- Cost effective solution
- Sturdy design
- Easy to install
- Whole range of mounting kits available
- Available options (non exhaustive list):
  - o ATEX Ex ia IIC T6 to T4 certified (hazardous area)
  - o High service temperature (180 °C)



Model 5950 - 2 t

The SENSY's load cell 5950 is perfectly designed to the following applications :

- Silos, tanks or hoppers weighing
- Reactors weighing
- Industrial force measurement where space is limited



5950 + I5950

### CAPACITIES :

5950 : (0.3) - (0.5) - (0.75) - (1) - (1.5) - 2 - 3 - 5 - 7.5 - 10 - (15) - 20 t

TECHNICAL DATA			
Accuracy class		0.25	0.1 1000 d
Linearity error	% F.S.	< ± 0.25	< ± 0.1
Hysteresis error	% F.S.	< ± 0.25	< ± 0.1
Non - repeatability	% F.S.	< ± 0.1	< ± 0.03
Creep error over 30 min.	% F.S.	< ± 0.1	< ± 0.06
Zero shift after loading	% F.S.	< ± 0.025	< ± 0.015
Reference temperature	°C	23	23
Nominal temperature range	°C	- 10...+ 45	- 10...+ 45
Service temperature range	°C	- 30...+ 70	- 30...+ 70
Storage temperature range	°C	- 50...+ 85	- 50...+ 85
Temperature coefficient of the sensitivity	% /10°C	< ± 0.05	< ± 0.05
Temperature coefficient of zero signal	% F.S./10°C	< ± 0.035	< ± 0.035
Nominal sensitivity	mV/V	1,5	1,5
Zero balance	mV/V	± 0.02	± 0.02
Sensitivity tolerance (g=9,8107 m/s <sup>2</sup> )	%	< ± 0.3	< ± 0.3
Input / Output resistance	Ohm	702 ± 5	702 ± 5
Insulation resistance (50V)	MOhm	> 5000	> 5000
Nominal excitation voltage	V	5 to 10	5 to 10
Nominal range of the excitation voltage	V	2...15	2...15
Safe load limit	% F.S.	150	150
Breaking load	% F.S.	>300	> 300
Static lateral force limit	% F.S.	10	10
Permissible dynamic loading	% F.S.	50	50

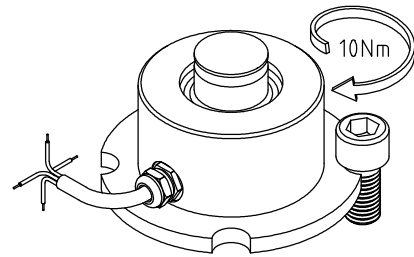
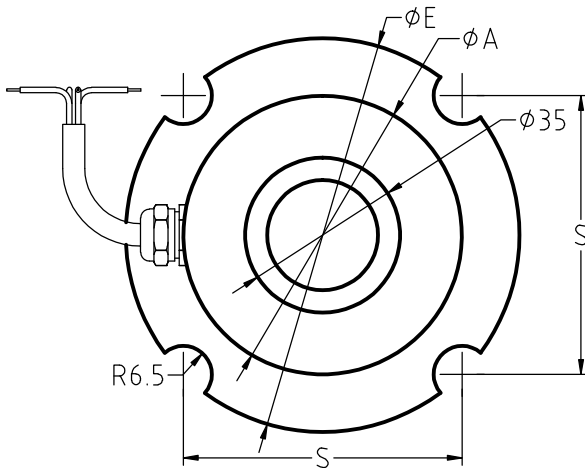
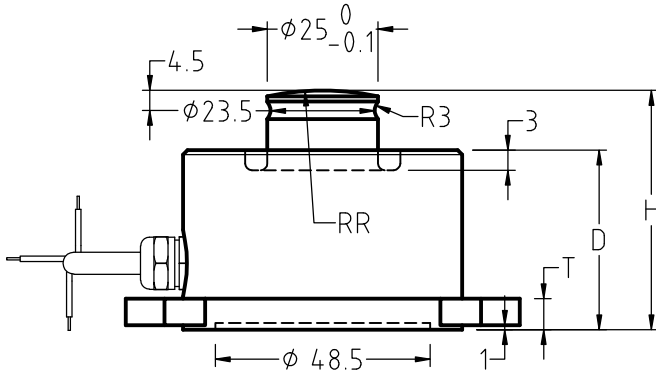
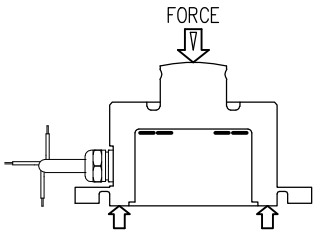
F.S.: full scale Specifications subject to change without notice

# LOAD CELL

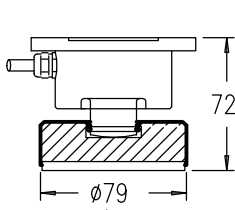
model 5950 stainless steel

## COMPRESSION

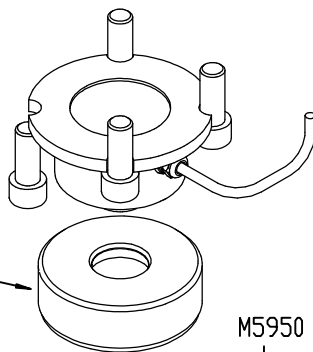
Range 0.3 – 15 t. (20t.) IP 67  
Cable length : 6 m



CAPACITIES	$\phi A$	D	H	S	T	$\phi E$	RR	Max.Deflexion	Weight
0.3 – 5 t	63	38.5	54	62.9	7	89	60	0.04–0.07 mm	±1.4 kg
7.5 – 15 t.(20t.)								0.08–0.15 mm	



F5950 300-7.5t.



A5950 300-15t.

