

### GENERAL FEATURES

The most important feature of the LTC series position sensors is that they are articulated on both sides. Thanks to the joints, they are capable of angular movement up to max. 30 ° during mounting and operation. In these models, the socket is 90° to the body.

They work as ABSOLUTE because they are measuring with the potentiometric principle, that is, they do not lose their position in case of power off. Potentiometric, 4-20 mA (optional 0-20 mA) or 0-10V analog output options are available.

Because of their linearized conductive plastic resistance alloy and special contacts, they are not affected by wear and operate for a long time with a life cycle of up to 100 million. They are stable by being linear and they measure evenly.

- Double articulated body structure
- ±30° maximum angular motion
- Measurement lengths between 50 mm and 1000 mm
- Potentiometric measurement
- Potentiometric, 4-20 mA or 0-10V analog output options
- Cable or DIN 43650-C socket connection
- Long life up to 100 million movements
- 5 m/s operating speed
- High accuracy
- Compact design

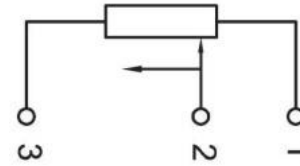
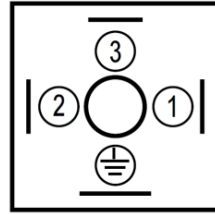
### TECHNICAL SPECIFICATIONS

Model	LTC 50	LTC 75	LTC 100	LTC 125	LTC 150	LTC 175	LTC 200	LTC 225	LTC 250	LTC 275	LTC 300	LTC 325	LTC 350	LTC 360	LTC 375	LTC 400	LTC 450	LTC 500	LTC 550	LTC 600	LTC 650	LTC 700	LTC 750	LTC 800	LTC 900	LTC 1000		
<b>Electrical Stroke (mm)</b>	50	75	100	125	150	175	200	225	250	275	300	325	350	360	375	400	450	500	550	600	650	700	750	800	900	1000		
<b>Independent Linearity (±%)</b>	0.2	0.2	0.2	0.2	0.2	0.2	0.2	0.12	0.12	0.12	0.12	0.12	0.12	0.12	0.12	0.12	0.12	0.12	0.1	0.1	0.1	0.1	0.1	0.1	0.1	0.1		
<b>Repeatability</b>	0.01 mm																											
<b>Max Operating Speed</b>	≤ 5 m/s																											
<b>Resistance Element</b>	Conductive Plastic																											
<b>Output Signal</b>	Potentiometric		4-20 mA (opt. 0...20 mA) or 0-10V																									
<b>Supply Voltage</b>	42V max.		12...30 VDC																									
<b>Resistance (KΩ)</b>	5, 10 (optional others)		-																									
<b>Resistance Tolerance (±%)</b>	20		-																									
<b>Electrical Connection</b>	3 x 0,14 mm <sup>2</sup> shielded PVC cable or DIN43650-C socket																											
<b>Mechanical Fixing</b>	With double-sided articulations																											
<b>Operating Temperature</b>	-30°C...+100°C																											
<b>Protection Class</b>	IP62																											
<b>Life</b>	100 x 10 <sup>6</sup> movements																											
<b>Material</b>	Body: Aluminium Rod: Stainless Steel																											

## ELECTRICAL CONNECTIONS

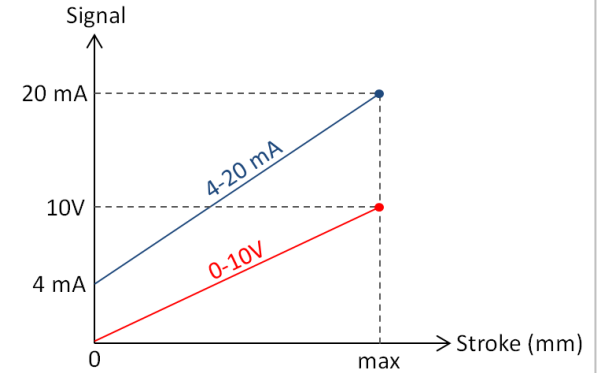
SIGNAL	CABLE COLOR	DIN 43650 – C SOCKET
+ V	Red	Pin 1
Output Signal*	Yellow	Pin 2
- V	Black	Pin 3

### DIN 43650-C SOCKET



### Potentiometer Connection (Voltage Divider)

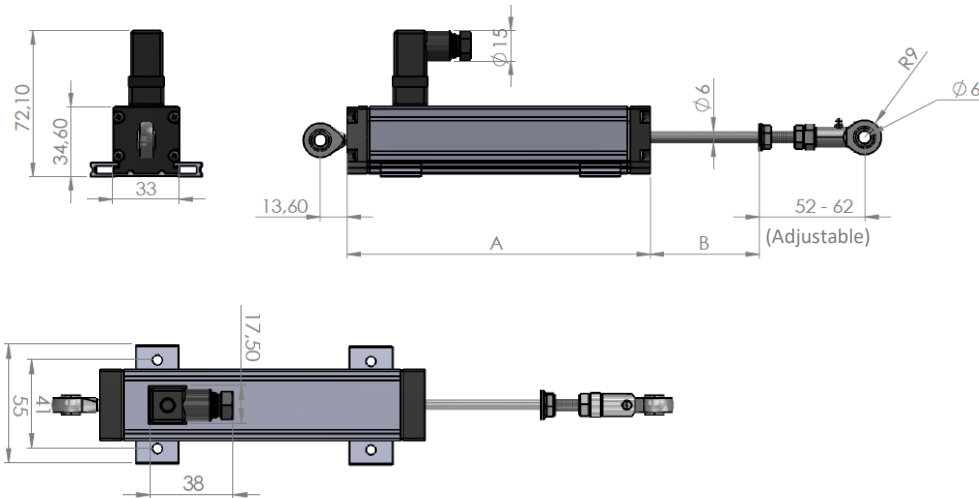
**Note:** The GND line of the feed and signal output is common. Therefore it can be connected with 3-wire cable.



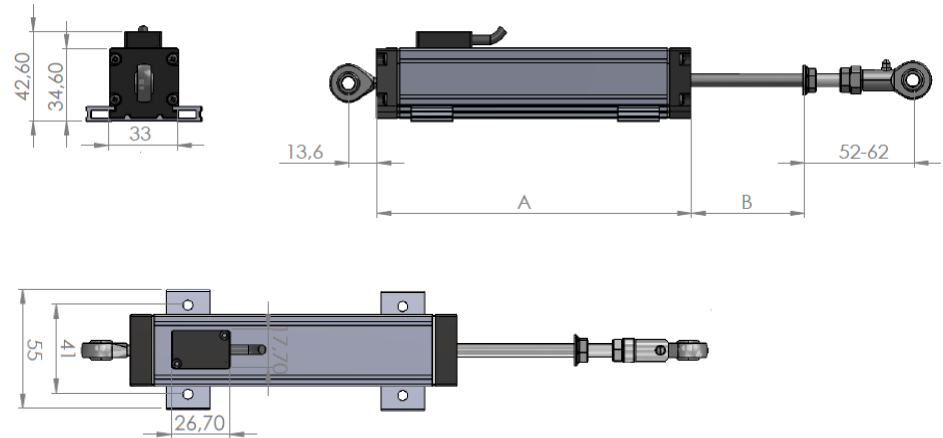
\*Output Signal may be potentiometric, 0-10 VDC or 4-20 mA depending on the model (See Product code table).

## MECHANICAL DIMENSIONS (mm)

### MODEL WITH DIN 43650-C SOCKET



### MODEL WITH 3 x 0,14 mm<sup>2</sup> CABLE



Stroke (mm)	50	75	100	125	150	175	200	225	250	275	300	325	350	360	375	400	450	500	550	600	650	700	750	800	900	1000
Body Length (A)	150	175	200	225	250	275	300	325	350	375	400	425	450	460	475	500	550	600	650	700	750	800	850	900	1000	1100
Mechanical Stroke (B)	54	79	104	129	154	179	204	229	254	279	304	329	354	364	379	404	454	504	554	604	654	704	754	804	904	1004

## SAMPLE APPLICATION FIELDS

- Measuring /control technology
- Manufacturing engineering like woodwork machines, riveting machines, packaging machines etc.
- Hydraulic machines
- Press brakes
- Metal working machines
- Bending machines
- Assembly and test equipment
- Medical applications
- Building technology
- Textile machinery
- Other automation applications

## ORDER CODE

### Order Code for Analog Output

#### Model No

LTC - XXX - X - XX

#### Output Signal

A: 4-20 mA (\*Optional 0-20 mA )

V: 0-10 VDC

#### Measuring Length (Stroke)

Different measuring lengths between 50 mm and 1000 mm

#### Electrical Connection

**2M:** 2 meters PVC cable (\*Optionally different cable lengths)

**No code:** DIN 43650-C socket

### Order Code for Potentiometric Output

#### Model No

LTC - XXX - XXX - XX

#### Resistance Value

**5K:** 5K $\Omega$

**10K:** 10K $\Omega$

\*Optional others

#### Measuring Length (Stroke)

Different measuring lengths between 50 mm and 1000 mm

#### Electrical Connection

**2M:** 2 meters PVC cable (\*Optionally different cable lengths)

**No code:** DIN 43650-C socket

Atek Elektronik Sensör Teknolojileri Sanayi ve Ticaret A.Ş.



Gebze OSB, 800. Sokak, No:814 Gebze/KOCAELİ/TURKEY



Tel: +90 262 673 76 00



Fax: +90 262 673 76 08



[www.ateksensor.com](http://www.ateksensor.com)



[info@ateksensor.com](mailto:info@ateksensor.com)