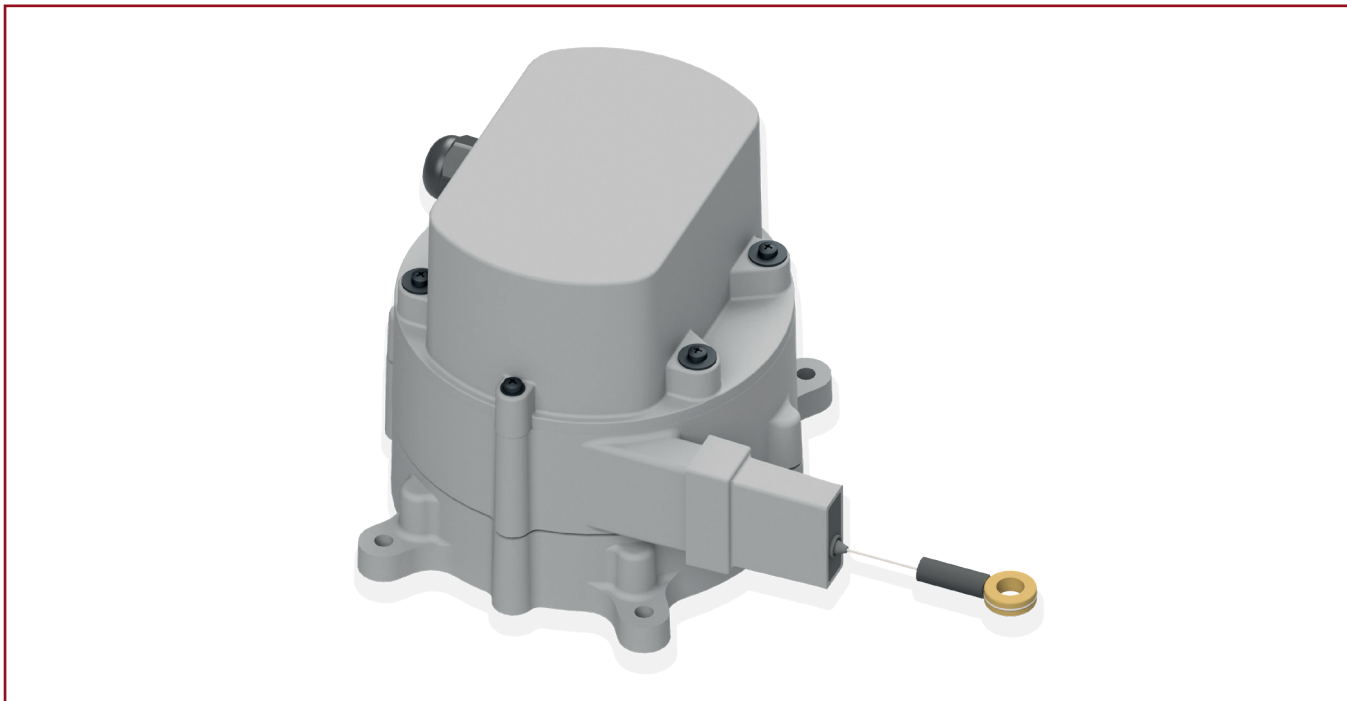


## SERIE DWT DRAW WIRE LINEAR TRANSDUCERS RUGGED – COMPACT – ENVIRONMENT PROTECTION – GOOD PRICE MANY FULL SCALES AVAILABLE



Linear displacement transducer, rugged, with both short and very long full scale.

The transducer wire rope has at its end an eyelet that is attached on the object whose position is to be measured: when moving away the rope is pulled out of transducer and when coming back the rope is re-winded inside. Position is measured by means of rotary sensor that measures the turns of the drum from which the rope is un-winded. Transducer is compact and can be placed in a zone protected from application hazards (vibrations, chemicals, dirtiness, temperature etc.) and only the wire rope is getting in the application zone. The flexible wire rope can be bent, by means of pulleys, in order to reach the moving object even when there is not much room.

For industrial applications: automation machines, vehicles (aerial platforms, agriculture machines, caterpillars, fork lifts, AGV etc.), lifting equipment, test rigs, machine tools marble/wood machines, plants, research etc.

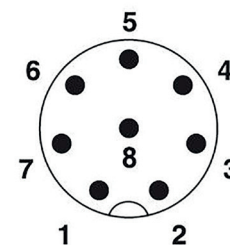
### TECHNICAL SPECIFICATIONS:

- Full scales: 0 to 1-2,5-4-5-7,5-10-12mFS.
- Linearity: 1-2,5-4-5 mFS =  $\pm 0,3\%$ ,  
7,5-10-12 mFS =  $\pm 0,5\%$ .
- Resolution: theoretically infinite  
(depending on application conditions).
- Output signals:
  - Potentiometric: 10kOhm max.  
(power supply 30Vcc max.).
  - 0-10V (power supply 12-30Vdc).
  - 4-20mA 2 wires (power supply 9-30Vdc).
- Rope maximum velocity: 1,5m/s.
- Rope tension force: 2N max.
- Environment protection: IP65.
- Work temperature:
  - -40 to +80°C (fixed cable electrical connection).
  - -20 to +80°C (connector electrical connection).
- Relative humidity: 95% not condensing.
- Rope diameter: 0,9mm.
- Materials:
  - Housing: plastics.
  - Rope: stainless steel 316 and PA12 plastics.
- Wire rope fixation: eyelet  $\varnothing$  outer 15mm,  
 $\varnothing$  hole 8mm, thickness: 5,3mm.
- Transduce bottom base fixing screws:  
4pz M4 1,4-1,6Nm.
- Certifications: CE, RoHS.

### ELECTRICAL CONNECTIONS:

Connector: M12x6 pin male (included only connector on transducer housing)  
 Cable: 2m, shielded, 6 conductors, PVC, AWG26, fixed installation.

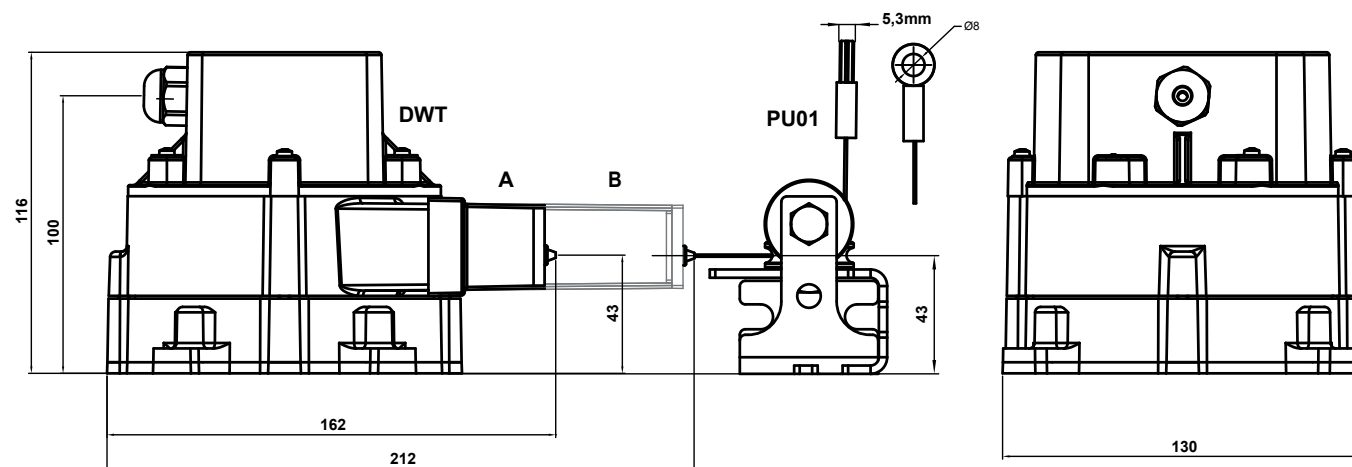
M12 connector 8 pins	Cable 6 conductors	Description
1	White	+VPps power supply, Signal 4-20mA.
2	Brown	Common
3	Green	Signal: 10V, potentiometer cursor



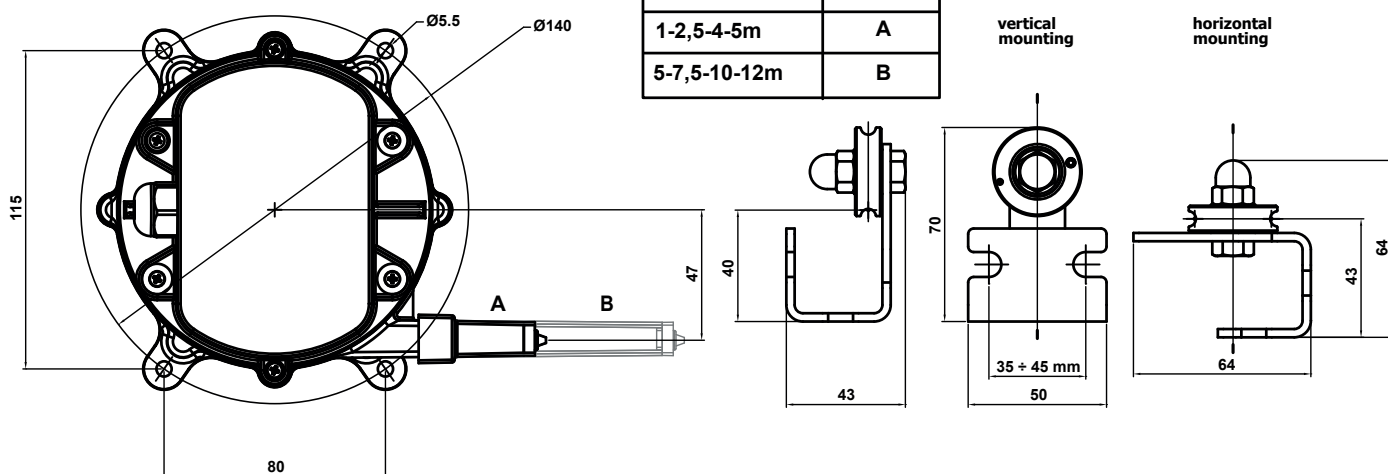
M12 Connector male side view.

Connector pins and cable conductors, not listed in the above chart, are not connected.

### MECHANICAL DIMENSIONS



FULL SCALES	SIZE
1-2,5-4-5m	A
5-7,5-10-12m	B



### PRODUCT CODES:

DWT-AAA-BBB-CCC

- AAA= full scales (m) 010=1m-025=2,5m, 040=4m, 050=5m 075=7,5m, 100=10m, 120=12mFS.
- BBB= outputs: 10V= 0 a +10V, 420= 4-20mA, 10K=10 kΩ.
- CCC= electrical connections: C02= cable 2m, CN1= connector M12 male.

PU01 wire rope pulley

CV02= M12 female mating connector with 2m cable open ends.

**CRT= calibration certificate.**

Technical characteristics and commercial conditions may vary without prior notice.