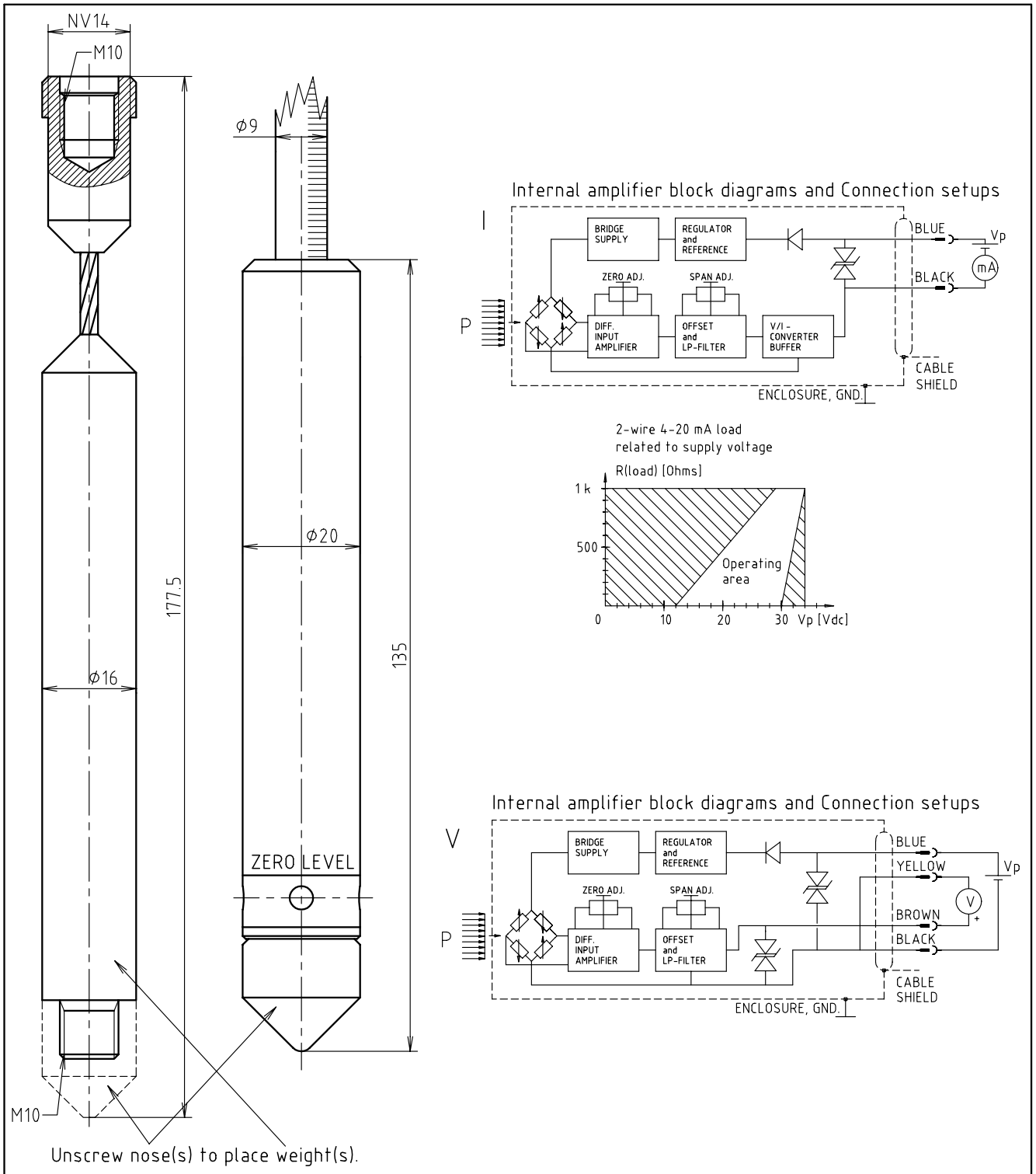


DEPTH & LEVEL TRANSMITTER PSL – $\phi 20$ mm



DESCRIPTION

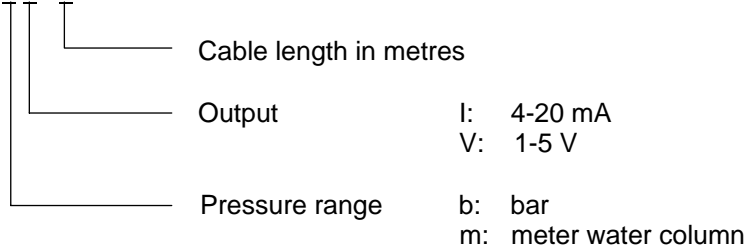
The pressure transmitter is based on a piezoresistive silicon sensor. The stainless steel part is laserwelded to the stainless steel tube which contains the amplifier. The backside of the sensor is ventilated to the atmosphere through a polyamid tube in the cable for the gauge type. The cable shield is connected to the stainless steel housing. All transmitters are helium tested for leak. The transmitter is terminated with a removeable protective cone made of PVC (threaded with M10). The thread can be used for adding additional weight (PSL-16).

SPECIFICATIONS

| | |
|--|--|
| Pressure range | 0.2, 0.5, 1, 2, 4, 5 or 10 bar gauge. 2, 4, 5, 10, 20, 40, 50 or 100 mWC gauge. Intermediate ranges possible. |
| Pressure limits | 0.2 to 1 bar/2 to 10 mWC: 2 bar. 2 to 10 bar/20 to 100 mWC: 2 times range. |
| Material | Stainless steel AISI 316. |
| Supply voltage (V_P) | I: 12-30 V _{DC} , 4 mA + output signal current. V: 9-30 V _{DC} , max 4 mA. |
| Supply voltage effect | < 0.03 %/V. |
| Output signal | I: 4-20 mA 2-wires (R _L see diagram). V: 1-5 V 4-wires R _L > 10 kohm. |
| Frequency range | DC-300 Hz (-3 dB). |
| Temperature range | 0 – 70 °C (compensated). |
| Temperature coefficient of zeropoint and gain | < ± 1.5 % FSO (0 °C to 70 °C with reference to 25 °C). < ± 0.4 % FSO (0 °C to 30 °C with reference to 15 °C). Range: 10mWC - 100mWC |
| Non-linearity | < 0.25 % (typical 0.1 %). |
| Repeatability | < 0.05 %. |
| Long term stability - offset | < ± 0.1 % 1 year (typical). |
| Long term stability - sensitivity | < ± 0.1 % 1 year (typical). |
| Transducer weight | 100 g. |
| Surge immunity | According to IEC 61000-4-5: 1995 + Corr1: 1995 2 kV/42 Ohm between wires 4 kV/2 Ohm on cable shield |
| Cable | Outer insulation: Ø9 mm black PUR. Wires: 5x0.5 mm ² PVC insulated wires + 2 supporting wires. Ventilation: ø2.5 mm polyamid capillary tube. Weight: 70 g/m. |
| Protection class | 2 times range, minimum 20 mWC |

ORDERING INFORMATION

PSL x x / x



PSL-16: 300 g weight (stainless steel AISI 316).