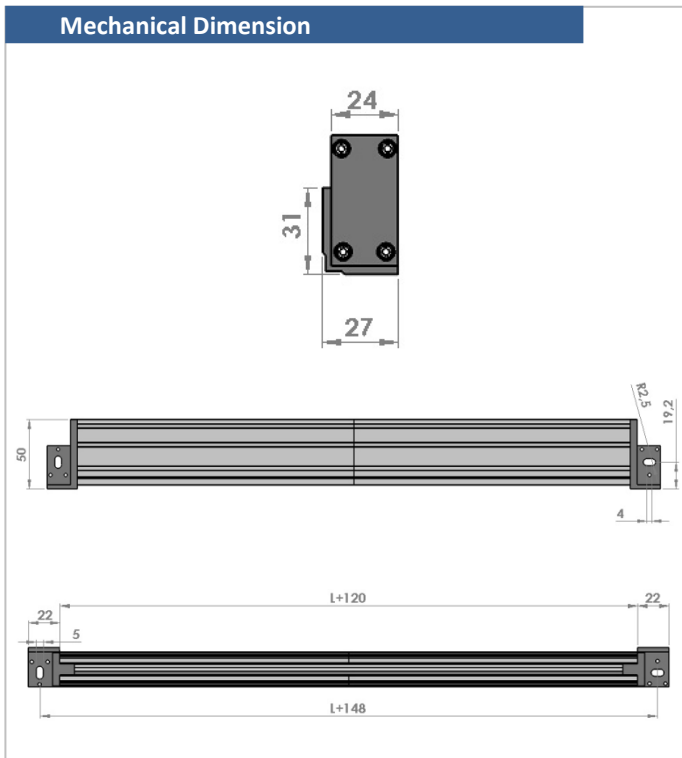




- Robust Shielded Metal Enclosure
- Compact Design
- Reader Sensors Protected by Aluminum Body
- Magnetic Tape Integrated In Profile
- Resistant to Humidity, Dirt and Dust
- Double Gasket Protection and Stainless Steel Cover Strip
- Protection Class IP67

Reading head sensor is bearing through to aluminum profile. With the sealing system the extra protection provided against to dusty, chip etc. It can be used with MLS210 Reading Head Sensor.



Technical Specification

Life	Infinite (Contactless)
Body Material	Aluminum Closed Profile
Gap Between Tape and Sensor	1,5 mm (Maximum 2,5 mm)
Magnetic Tape Type	B5 (Optional B2)
Operating Temperature Range	-25 to +85°
Protection Class	IP67



WARNING (!) The proximity of the band with comparator, magnet or similar instruments having a magnetic effect, disrupts the working structure of the band. The product should be kept away from devices that generate this type of magnetic field.

Order Specifications

Model		Measuring Length						
		User Defined (Between 50mm to 2000 mm) Other ranges are optional						
		Example: 300 : 300mm						
PS	310	-	X	-	X	X	X	mm
		N/S Pole Length						
		2 : 2 mm						
		5 : 5 mm						