



- Optical principle
- Incremental measurement
- 6, 8 or 10 mm hole diameters
- 1.024 pulses resolution
- 300 KHz replying frequency
- 50 mm Body diameter

TECHNICAL SPECIFICATIONS

Process Temperature	- 25 to 85 °C
Stock Temperature	- 40 to 100 °C
Protection Class	IP54
Body	50 mm Diameter
Replying Frequency	300 KHz
Working Speed	6.000 RPM max.
Hole Diameter	6 mm, 8 mm, 10 mm

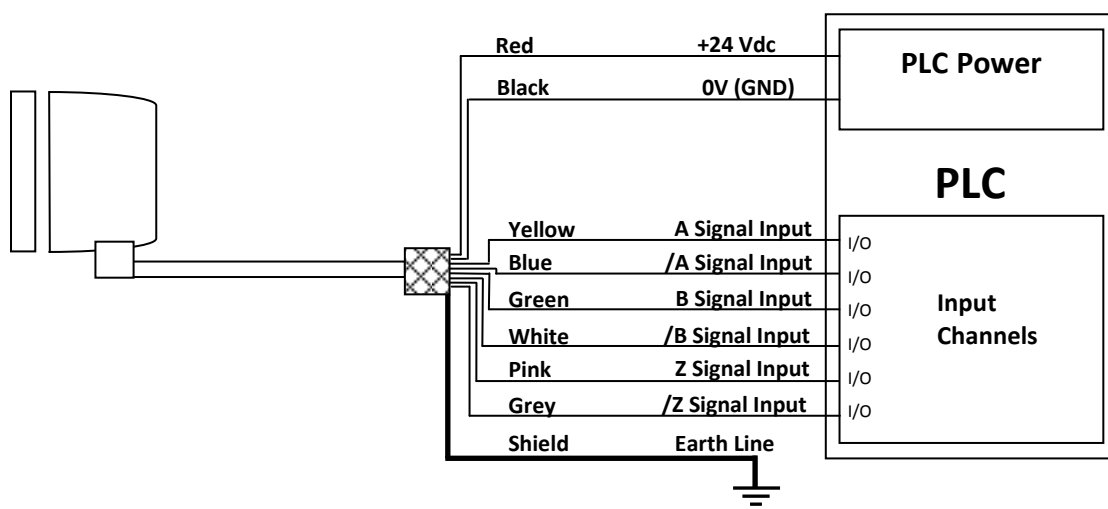
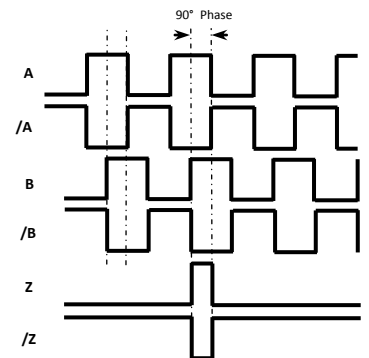
ELECTRICAL SPECIFICATIONS

Supply Voltage	+5 VDC, +10VDC...30VDC
Supply Current	50mA Nominal
Output Type	Push Pull, TTL Line Driver, Open Collector
Output Signals	A, /A, B, /B, Z, /Z
Output Current	100mA max. (Every Channel)
Connection	5 or 8 x 0,14 mm ² Cable with shield

OUTPUT SIGNALS

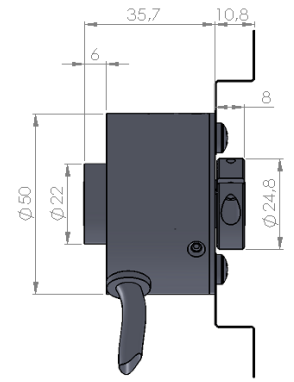
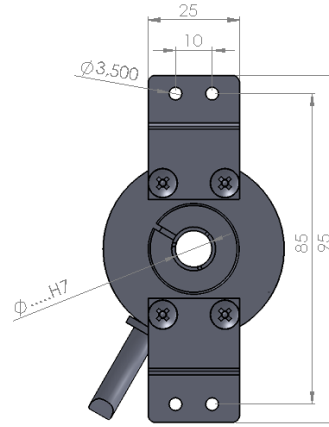
PIN NO	SIGNAL	CABLE COLOR
1	A	YELLOW
2	/B	WHITE
3	+V	RED
4	0 V	BLACK
5	/A	BLUE
6	B	GREEN
7	/Z	GREY
8	Z	PINK
9	GROUND	SHIELD

In the left tablet the cable colors of sensors output signals are given. If the control circuit is suitable in the Line Driver sensors of the not output signals (/A, /B, /Z) have to be added to the system. If it is not suitable /A, /B, /Z signal cables must be fixed as insulated separately. Don't forget that these edges have electricity too.

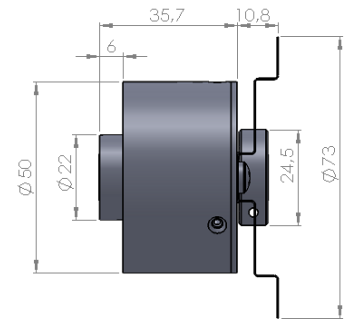
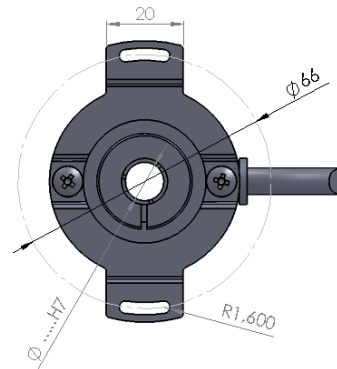


MECHANICAL DIMENSIONS

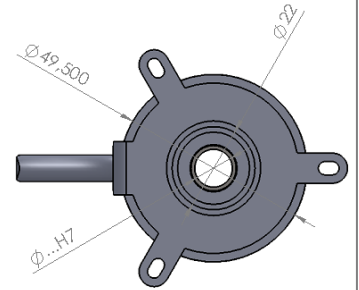
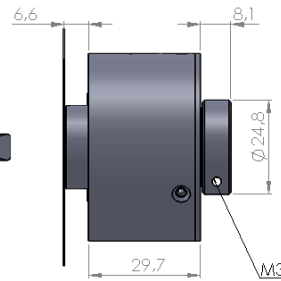
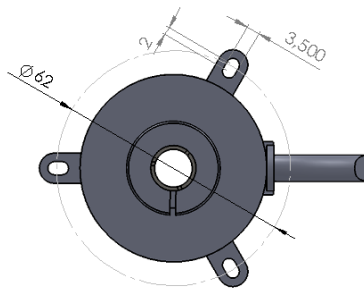
FZ - "Z" Type Flange



FC – Circular Flange



B – Backside Flange



ORDER CODING

Series

ARC : Optical

Body Diameter

50 : 50 mm

Power Supply and Output

- PP : 10...30 VDC Supply
- : 10...30VDC Output
- TTL : 5 VDC Supply
- : 5 VDC TTL Output
- HTL : 10...30 VDC Supply
- : 5 VDC TTL Output
- HPL : 5...24 VDC Supply
- : 5...24 VDC Push-Pull Output
- OCL : Open Collector

Cable Length

- 3M : 3M (Standard)
- 5M : 5M
- 8M : 8M
- 10M : 10M

*Optional, up to 35 meters

Flange Type

- FZ : "Z" Type Flange
- FC : Circular Flange
- B : Backside Flange

ARC - H - 50 - XXX - XXX - X - XM - X - XX

Shaft Type

H : Hollow Shaft

Resolution

1024 : 1024 Pulse

Please ask us for other options

Output Signals

- 3 : A, B, Z
- 6 : A, /A, B, /B, Z, /Z

Hole Length

- 6 : 6 mm
- 8 : 8 mm
- 10 : 10 mm

Atek Sensor Technology A.S.

Cevizli Mah. Bagdat Cad. Guven Sok. No:11 TR-34846 Maltepe-Istanbul-TURKEY

Tel: +90 216 399 44 04

www.ateksensor.com

Fax: +90 216 399 44 02

info@ateksensor.com

