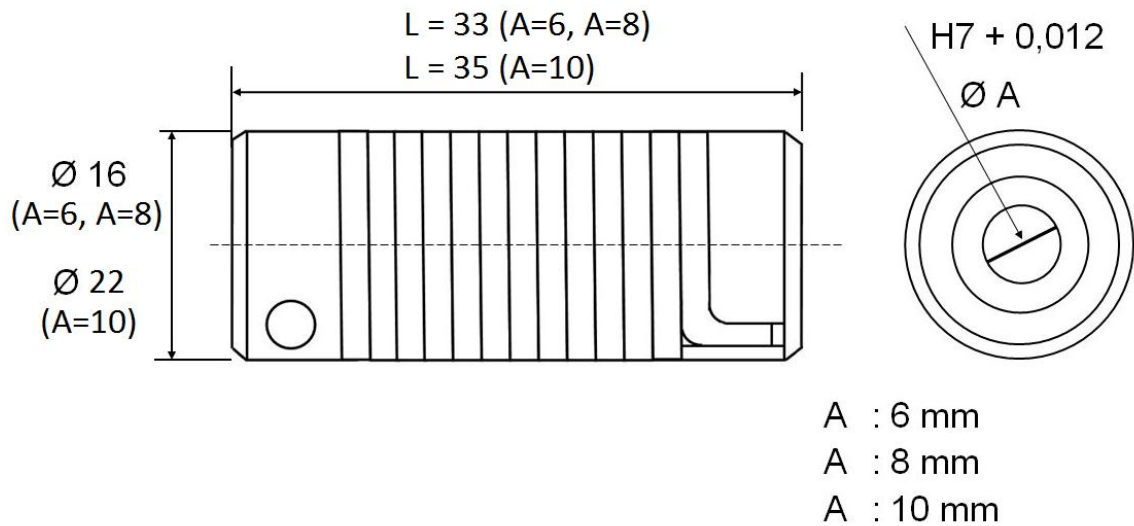




- Spring: Steel, Flange: Aluminium
- High Torque and Long Life
- Flexible Body
- Constant Velocity Transmission
- 6-6, 8-8 mm Model Options

Mechanical Dimensions



Order Code

Model

S C - X X - X - X - L = X X

Outside Diameter

16: 16 mm
21: 21 mm

L = Length

33 = 33 mm
35 = 35 mm (Only 21 mm outside diameter models)

Major and Minor Bore Size

6 - 6 : 6mm - 6mm
8 - 8 : 8mm - 8mm
10 - 10 : 10mm - 10mm
12 - 12 : 12 mm - 12 mm (Only 21 mm outside diameter models)