



HEAD TYPE INDUSTRIAL HIGH TEMPERATURE SENSOR

AST 30 Series

“-195...+650°C Measuring Range, 15-300 mm Immersion Length, RTD Output”



- Selectable measuring range from -195 to +650 °C
- Resistant up to 600Bar
- Immersion length options ranging from 15 mm to 300 mm
- RTD (PT100, PT1000) output
- G1/4, G1/2, NPT1/4, NPT1/2, M14x1, M20x1,5 etc. process connection options
- Aluminum alloy housing
- Easy installation and use

AST30 head type industrial high temperature sensor is designed for precise temperature measurement of liquid and gaseous media in the range of -195 to +650 °C.

The detection principle is based on the variation of the electrical resistance of the conductor with temperature. The resistance signal receiving from the RTD element is integrated into automation systems.

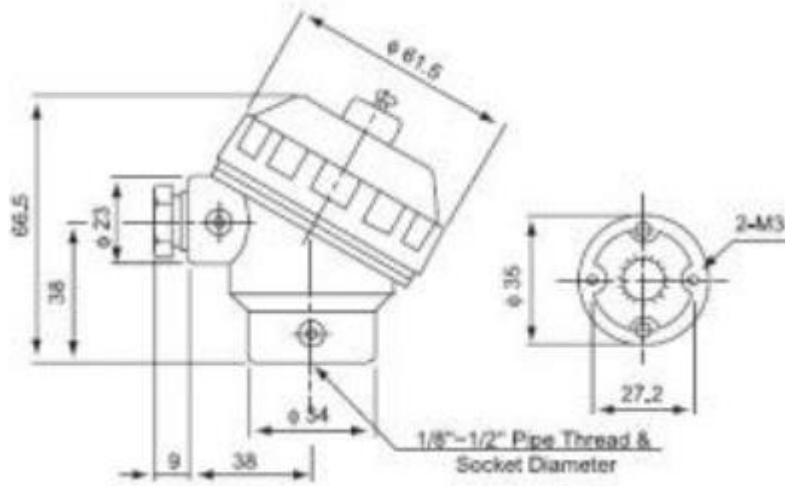
It has a wide range of user-selectable specifications such as measuring range, process connection type, immersion length, output signal, connector type etc.

APPLICATIONS

- Machines
- Tanks
- Boilers
- Gas and liquid fluids
- Surface temp. measurement
- Ambient temp. measurement




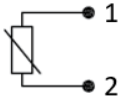
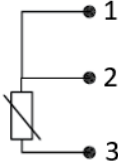
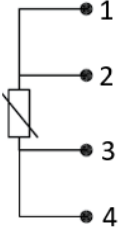
MECHANICAL DIMENSIONS (mm)



TECHNICAL SPECIFICATIONS

Measurement Sensor and Specifications	PT100, PT1000 (Class B EN60751) Temperature Coefficient: 3850 TCR Self-heating: 0.2 K/mW at 0 °C Tolerance class: F 0.6 (2B)
Measuring range	-195 ... +650 °C / -319 ... +1202 °F
Max. working pressure	600 Bar
Output	2 wire RTD, 3 wire RTD, 4 wire RTD
Electrical connection	Terminal
Process Connection (E)	G1/4, G1/2, NPT1/4, NPT1/2, M14x1, M20x1,5 (Optional others)
Immersion length (L)	Optional between 15 mm ... 300 mm
Immersion Diameter (D)	8 mm
Material	Head: Aluminum alloy Immersion pipe: 304 SS
Operating Temp. (head)	-40°C ... +85°C
Protection Class	IP65

ELECTRICAL CONNECTION

Connection	
2-Wire	
3-Wire	
4-Wire	

ORDER CODE

1-Model

AST30

2- Temperature Range

Selectable from -195 to +650 °C

3- Immersion Length

015: 15mm	160: 160mm
025: 25mm	200: 200mm
050: 50mm	250: 250mm
100: 100mm	300: 300mm

4- Immersion Pipe Diameter

8: 8 mm

5- Sensor Type

PT100
PT1000

6- Output Signal

RTD2 : 1xPT100 or 1xPT1000 (2-wire)
RTD3 : 1xPT100 or 1xPT1000 (3-wire)
RTD4 : 1xPT100 or 1xPT1000 (4-wire)

7- Process Connection

G1/4 : G1/4	NPT1/2 : NPT1/2
G1/2 : G1/2	M14 : M14x1
NPT1/4 : NPT1/4	M20 : M20X1,5

* Optional others

Sample order code: AST30 -40...+500 015 8 PT100 RTD2 G1/4

BY PRODUCTS



EPA Series Measurement and Control Devices

[48x48mm model EPA 100](#)

[74x74mm model EPA 200](#)

[96x48mm model EPA 300](#)