

5000

## CUSTOM MADE LOAD PIN

Custom made load pin designed to be installed at the same place of a common axle without big change of the existing mechanical environment.

- CE certified for hoisting applications
- Sturdy design
- Stainless steel
- Protection IP 65
- Easy to install
- Complete range of "CE" certified electronics, load limiters and displays available
- Available options (non exhaustive list):
  - o ATEX Ex ia IIC T6 to T4 certified (hazardous area)
  - o Protection IP67 or IP67 marine
  - o High service temperature (180 °C)
  - o Amplified output signal (4..20 mA or 1..5 V)



Model 5000 - 3 t

The SENSY's load pin 5000 is perfectly designed to the following applications :

- Hoisting devices and crane's security in combination with a load limitation electronics
- Force measurement on cylinders and others applications
- Industrial weighing

### CAPACITIES :

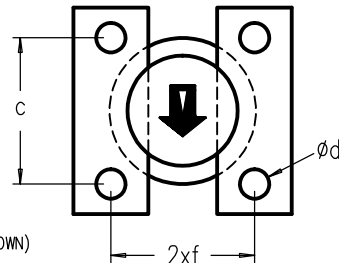
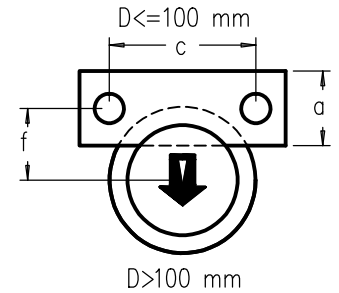
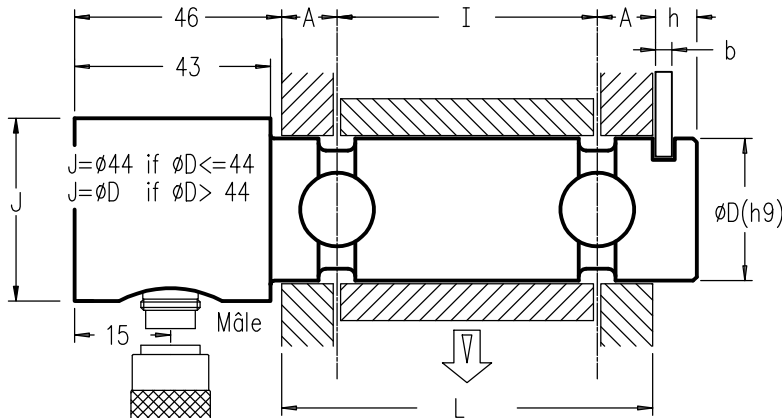
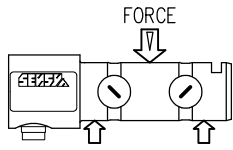
5000 : from 1 ton to 1000 t  
(Higher capacities on request)

TECHNICAL DATA		
Accuracy class		SL
Combined error	% F.S.	1
Non - repeatability	% F.S.	< ± 0.25
Creep error over 30 min.	% F.S.	< ± 0.2
Zero shift after loading	% F.S.	< ± 0,05
Reference temperature	°C	23
Nominal temperature range	°C	- 10...+ 45
Service temperature range	°C	- 30...+ 70
Storage temperature range	°C	- 50...+ 85
Temperature coefficient of the sensitivity	%/10°C	< ± 0.1
Temperature coefficient of zero signal	% F.S./10°C	< ± 0.1
Nominal sensitivity	mV/V	± 1
Zero balance	mV/V	± 0.02
Sensitivity tolerance (g=9,8107 m/s <sup>2</sup> )	%	< ± 0.5
Input / Output resistance	Ohm	350 ± 20
Insulation resistance (50V)	MOhm	> 5000
Nominal excitation voltage	V	5 to 10
Nominal range of the excitation voltage	V	2...15
Safe load limit	% F.S.	200
Breaking load	% F.S.	> 200...500
Static lateral force limit	% F.S.	> 300
Permissible dynamic loading	% F.S.	70

F.S.: full scale Specifications subject to change without notice

## LOAD CELLS

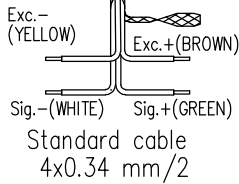
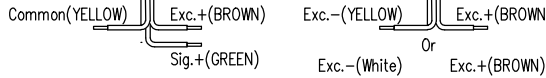
**model 5000** stainless steel  
 Range 1-1000 t. IP65 (IP67 or IP68 option)  
**DOUBLE SHEAR BEAM AXLE**  
 Cable length : 6 m



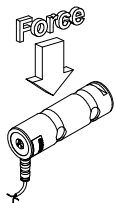
Female

Option: T-1/5V  
 or J-4/20 mA  
 3 Wires

Option C-4/20 mA  
 2 Wires



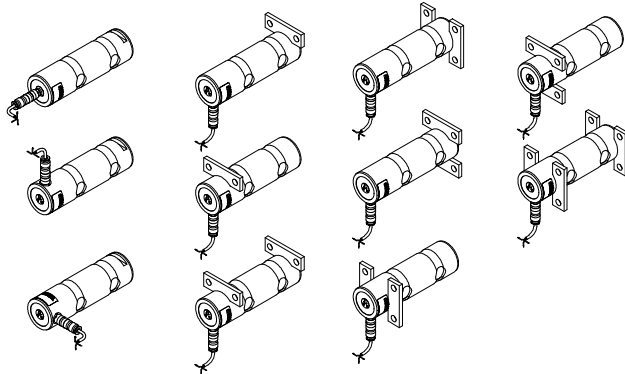
Standard cable  
 4x0.34 mm/2



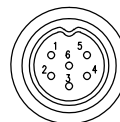
REFERENCE DIMENSIONS										DIMENSIONS STANDARD		
CAP.(t)	øD(h9)	A(min)	I(min)	a	b	c	ød	f	h	øD RANGE	a,b,c,ød,f,h	
0.5	20	7...10	20	25	6	50	11	18	12	18 - 25	Depending directly on the diameter according to DIN 15058	
1.5	30	12	25					22		20 - 35		
2	32		30					23		24 - 40		
3	36		30					24		28 - 45		
4	40		30					26		32 - 50		
6.3	44	14	35	30	8	70	13	30.5	16	38 - 55	Complete list with the different parameters available on request	
8	49							35		32.5		45 - 60
10	54							35		35		50 - 65
16	59							35		36		55 - 79
20	64	15	50	40	10	100	17	37.5	20	60 - 88		
30	70							40		45	65 - 99	
40	88							60		52	76 - 105	
63	98							70		56	90 - 130	
80	108	20	80	50	12	140	21	60	25	100-140		
100	120							70		70	118-150	
125	128							72.5		72.5	120-160	
140 - 1000 t			to customer design specifications							129-170		

Some configurations

Configurator on [www.loadpin.com](http://www.loadpin.com)



FEMALE-MALE CONNECTOR DIN 45322



- CONTACT N°
- 1 Excitation - Yellow
  - 2 Signal + Green
  - 3 Signal - White
  - 4 Excitation + Brown
  - 5 Sense - Grey
  - 6 Sense + Pink
- } Standard cable

Cable screen not connected to transducer  
 Option f : Cable screen connected to transducer  
 (6 wires cable in option)

Cable screen connected to transducer for option t,C,J