

5510

## SHEAR BEAM LOAD CELL

Universal load cell combining sturdy design, high accuracy and low cost.

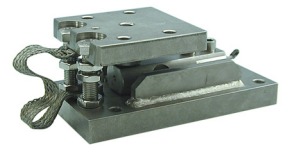
- Stainless steel
- Protection IP 67
- Cost effective solution
- Sturdy design
- Easy to install
- Complies with OIML/R60 up to 3000 d for scales in class III according to EN 45 501
- Mounting kits available with following properties:
  - o Stabilization without tension rods
  - o Compensation of thermal dilatations
  - o Compensation of default of parallelism
- Option: ATEX Ex ia IIC T6 to T4 certified (hazardous area)



Model 5510 - 1,5 t

The SENSY's load cell 5510 is perfectly designed to the following applications:

- Low profile scales
- Pallet, platform scales
- Packaging, batching and filling machines
- Reactors, tanks, vessel or hoppers weighing



### CAPACITIES :

5510 : 0.5 - (0.75) - 1 - 1.5 - 2 t

I5510

TECHNICAL DATA							
Accuracy class		0.1 1000 d	C 1 1000 d OIML	0.05 2000 d	C 2 2000 d OIML	0.03 3000 d	C 3 3000 d OIML
Linearity error	% F.S.	< ± 0.1	< ± 0.03	< ± 0.05	< ± 0.025	< ± 0.025	< ± 0.020
Hysteresis error	% F.S.	< ± 0.1	< ± 0.03	< ± 0.05	< ± 0.025	< ± 0.025	< ± 0.020
Non - repeatability	% F.S.	< ± 0.03	< ± 0.02	< ± 0.02	< ± 0.01	< ± 0.015	< ± 0.01
Creep error over 30 min.	% F.S.	< ± 0.06	< ± 0.04	< ± 0.04	< ± 0.03	< ± 0.025	< ± 0.020
Zero shift after loading	% F.S.	< ± 0.015	< ± 0.01	< ± 0.01	< ± 0.0075	< ± 0.0075	< ± 0.005
Reference temperature	°C	23					
Nominal temperature range	°C	- 10...+ 45					
Service temperature range	°C	- 30...+ 70					
Storage temperature range	°C	- 50...+ 85					
Temperature coefficient of the sensitivity	% /10°C	< ± 0.05	< ± 0.02	< ± 0.035	< ± 0.015	< ± 0.015	< ± 0.009
Temperature coefficient of zero signal	% F.S./10°C	< ± 0.035	< ± 0.03	< ± 0.03	< ± 0.02	< ± 0.023	< ± 0.013
Nominal sensitivity	mV/V	±2					
Zero balance	mV/V	± 0.02					
Sensitivity tolerance (g=9,8107 m/s²)	%	< ± 0.3			< ± 0.1		
Input / Output resistance	Ohm	351 ± 2					
Insulation resistance (50V)	MOhm	> 5000					
Nominal excitation voltage	V	5 to 10					
Nominal range of the excitation voltage	V	2...15					
Safe load limit	% F.S.	150					
Breaking load	% F.S.	> 300					
Static lateral force limit	% F.S.	100					
Permissible dynamic loading	% F.S.	60					

F.S.: full scale Specifications subject to change without notice

# LOAD CELLS

model 5510 stainless steel

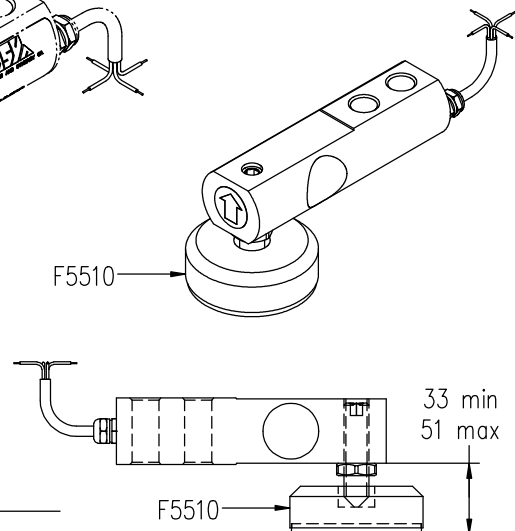
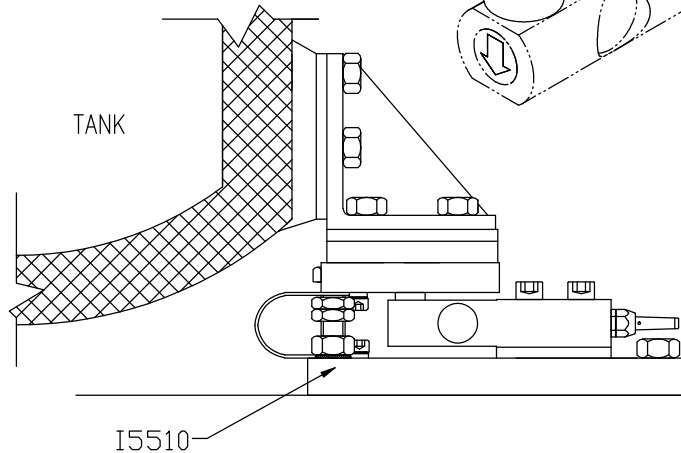
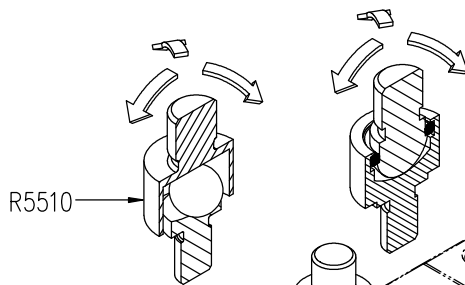
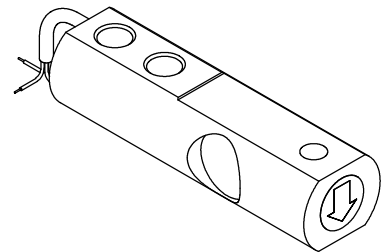
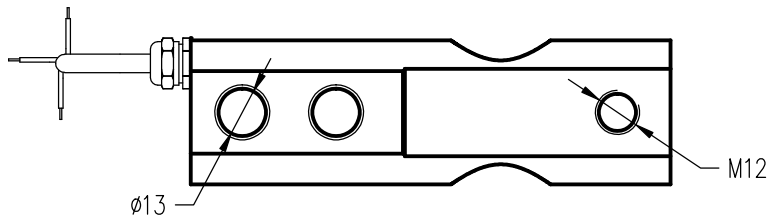
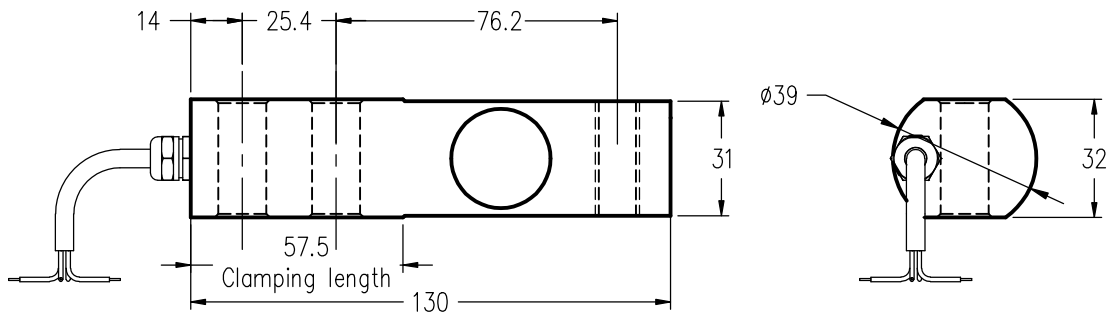
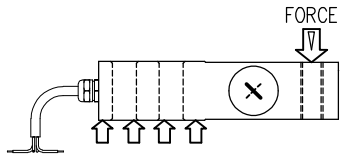
## SHEAR BEAM

Range 0.5 – 2 t. IP67

Cable length : 8 m

Max.Deflexion  
0.15–0.27 mm

Weight  
0.95 kg





www.sensy.com

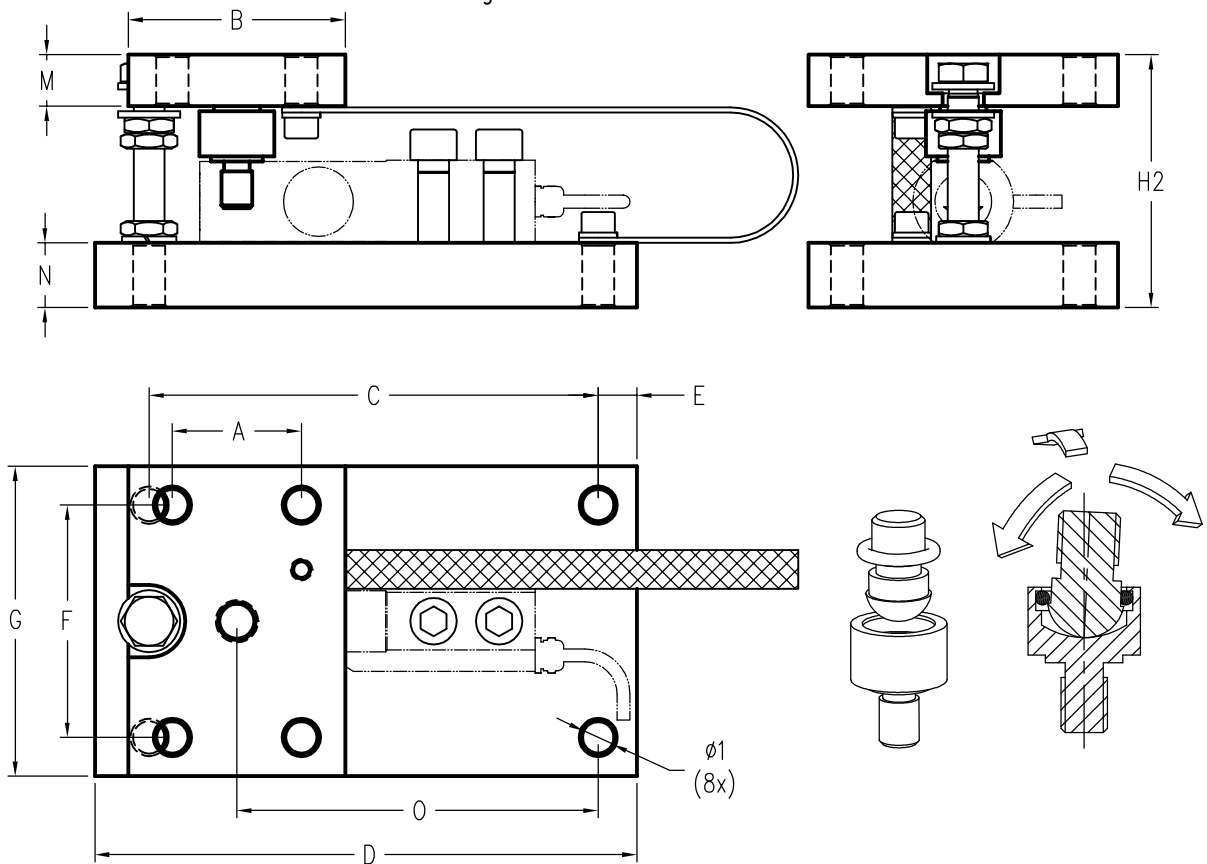
## ACCESSORIES

model I5510 stainless steel

model I5515 coated steel

### EASY MOUNT MODEL 5510

Range 0.5 - 2 t.



MODEL	CAPACITIES	A	B	C	D	E	F	G	M	N	O	ø1	H2	Weight
I5510-I5515	0.5 - 2 t.	50	84	174	210	15	90	120	20	25	140	12.5	98	±6.76 kg

