

5600

LOW COST CUSTOM MADE LOAD PIN

Custom made load pin designed to be installed at the same place of a common axle without big change of the existing mechanical environment. Low cost version of model 5000 only available with a diameter smaller or equal than 39 mm and with axial cable gland.

- CE certified for hoisting applications
- Sturdy design
- Stainless steel
- Protection IP 65
- Easy to install
- Complete range of "CE" certified electronics, load limiters and displays available
- Available options (non exhaustive list):
 - o ATEX Ex ia IIC T6 to T4 certified (hazardous area)
 - o High service temperature (180 °C)
 - o Amplified output signal (4..20 mA or 1..5 V)



Model 5600

The SENSY's load pin 5600 is perfectly designed to the following applications :

- Hoisting devices and crane's security in combination with a load limitation electronics
- Force measurement on cylinders and others applications
- Industrial weighing

CAPACITIES :

5600 : 0.5 to 6.3 t

TECHNICAL DATA		
Accuracy class		SL
Combined error	% F.S.	1
Non - repeatability	% F.S.	< ± 0.25
Creep error over 30 min.	% F.S.	< ± 0.2
Zero shift after loading	% F.S.	< ± 0.05
Reference temperature	°C	23
Nominal temperature range	°C	- 10...+ 45
Service temperature range	°C	- 30...+ 70
Storage temperature range	°C	- 50...+ 85
Temperature coefficient of the sensitivity	%/10°C	< ± 0.1
Temperature coefficient of zero signal	% F.S./10°C	< ± 0.1
Nominal sensitivity	mV/V	± 1
Zero balance	mV/V	± 0.02
Sensitivity tolerance (g=9,8107 m/s ²)	%	< ± 0.5
Input / Output resistance	Ohm	350 ± 20
Insulation resistance (50V)	MOhm	> 5000
Nominal excitation voltage	V	5 to 10
Nominal range of the excitation voltage	V	2...15
Safe load limit	% F.S.	200
Breaking load	% F.S.	> 200...500
Static lateral force limit	% F.S.	> 300
Permissible dynamic loading	% F.S.	70

F.S.: full scale Specifications subject to change without notice

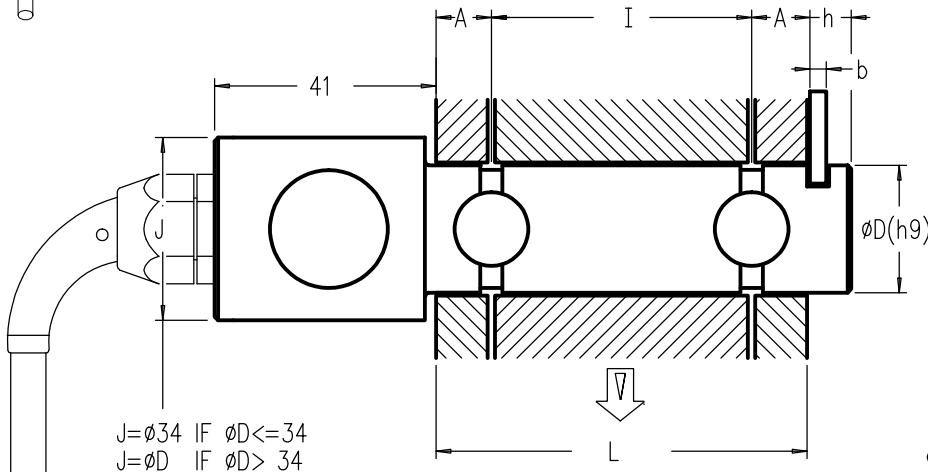
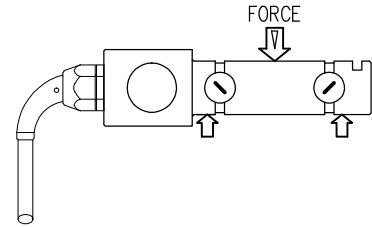
LOAD CELLS

model 5600 stainless steel

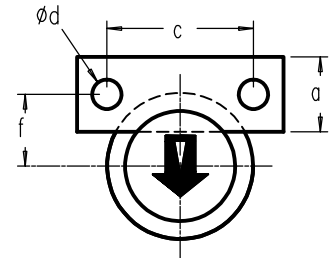
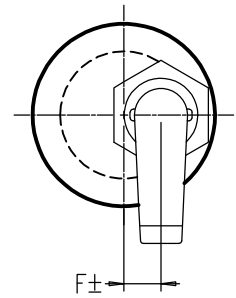
Range 0.5 – 6.3 t. IP65

DOUBLE SHEAR BEAM AXLE

Cable length : 6 m



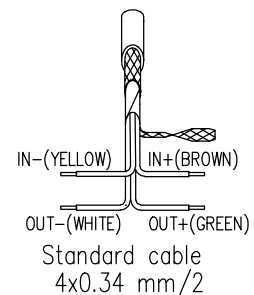
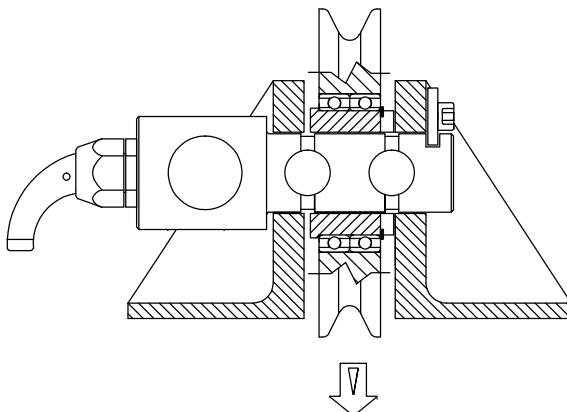
J=Ø34 IF ØD≤34
J=ØD IF ØD>34



REFERENCE DIMENSIONS										
CAP.(t.)	A min	I min-max	b	h	ØD(h9)	F	f	a	c	Ød
0.5	* 7...10	20-100	6	12	20	6	18	25	50	10
1.5	12	25-160			30		22			
2					32		23			
3					36	24				
4	40-160						8			
6.3			39	25.5						

STANDARD DIMENSIONS	
RANGE ØD	a,b,c,Ød,h,f
18 – 25	Depending directly on the diameter according to DIN 15058 Complete list with the different parameters available on request
20 – 35	
24 – 39	
28 – 39	
32 – 39	
36 – 39	

* Depend on capacity



Cable screen not connected to transducer
Option f : Cable screen connected to transducer
(6 wires cable in option)