

Small sized single point load cell.

- Designed for off-center load
- Maximum platform size : 300 x 300 mm
- Small sized
- Material : Anodized aluminium alloy
- Protection: IP 54
- Easy to install
- With threaded hole for mechanical stops in compression
- Available options (non exhaustive list):
 - o Protection cover (option F)
 - o ATEX Ex ia IIC T6 to T4 certified (hazardous area)
 - o Tension load accessories



Model 2062 - 1kg

The SENSY's load cell 2062 is perfectly designed to the following applications :

- Bench scales
- Small hopper weighing
- Filling, packaging and batching applications

CAPACITIES :

2062 : 1 - 2 - 3 - 5 - (7.5) - 10 kg

TECHNICAL DATA				
Accuracy class		0.1 1000 d	0.05 2000 d Only 5 & 10 kg	0.03 3000 d Only 10 kg
Linearity error	% F.S.	< ± 0.1	< ± 0.05	< ± 0.025
Hysteresis error	% F.S.	< ± 0.1	< ± 0.05	< ± 0.025
Non - repeatability	% F.S.	< ± 0.03	< ± 0.02	< ± 0.015
Creep error over 30 min.	% F.S.	< ± 0.06	< ± 0.04	< ± 0.025
Zero shift after loading	% F.S.	< ± 0.015	< ± 0.01	< ± 0.0075
Reference temperature	°C	23		
Nominal temperature range	°C	- 10...+ 45		
Service temperature range	°C	- 30...+ 70		
Storage temperature range	°C	- 50...+ 85		
Temperature coefficient of the sensitivity	% /10°C	< ± 0.05	< ± 0.035	< ± 0.015
Temperature coefficient of zero signal	% F.S./10°C	< ± 0.035	< ± 0.03	< ± 0.023
Nominal sensitivity	mV/V	±2		
Zero balance	mV/V	± 0.02		
Sensitivity tolerance (g=9,8107 m/s ²)	%	< ± 0.3		< ± 0.1
Input / Output resistance	Ohm	351 ± 2		
Insulation resistance (50V)	MOhm	> 5000		
Nominal excitation voltage	V	5 to 10		
Nominal range of the excitation voltage	V	2...15		
Safe load limit	% F.S.	150		
Breaking load	% F.S.	> 300		
Static lateral force limit	% F.S.	100		
Permissible dynamic loading	% F.S.	60		

F.S.: full scale Specifications subject to change without notice

LOAD CELL



ATEX CERTIFIED

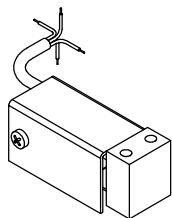
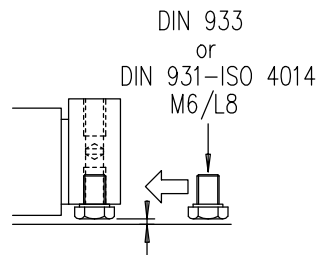
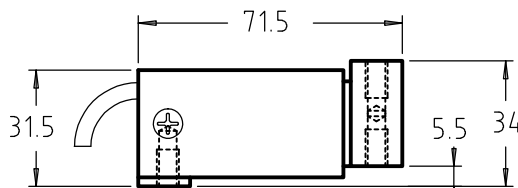
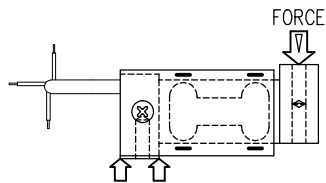


model 2062 aluminium alloy

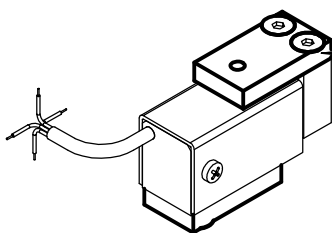
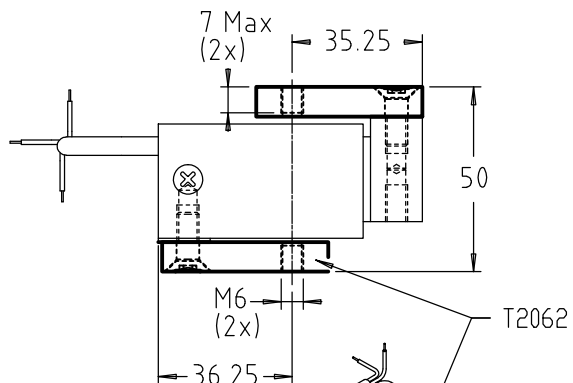
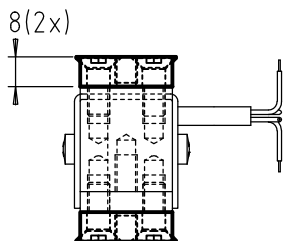
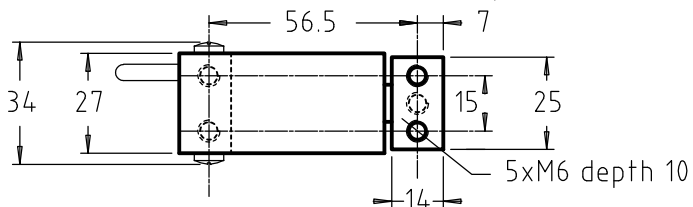
OFF-CENTER

Range 1 – 10 kg IP54

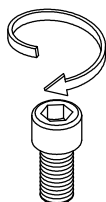
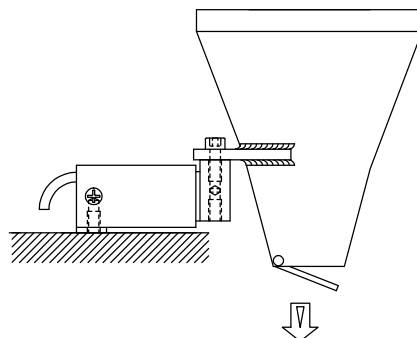
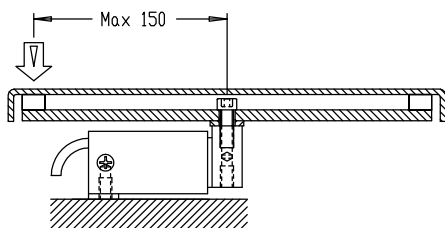
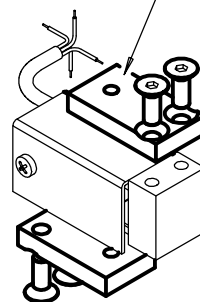
Cable length : 2 m Weight : 0.15 kg



Max.deflexion 0.40 mm



Weight ± 23 g /piece
and ± 6 g (2 screws
din 7991 M6 L12)



Note: Correct torque for fixing bolts : 1.2 Kgm (M6)
Fastener quality 10.9 or 12.9
(don't touch bottom of tapped holes)