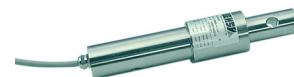


4500

SHEAR BEAM LOAD CELL

Load cell for silo weighing combining a sturdy design with an easy installation.

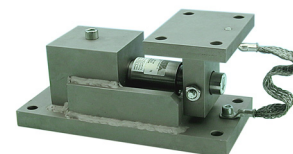
- Stainless steel
- Protection IP 67
- Cost effective solution
- Sturdy design
- Easy to install
- Accuracy: $\pm 0.1\%$ (1000 d)
- Mounting kits available with following properties:
 - o Stabilization without tension rods
 - o Compensation of thermal dilatations
 - o Compensation of default of parallelism
- Option: ATEX Ex ia IIC T6 to T4 certified (hazardous area)



Model 4500 - 5 t

The SENSY's load cell 4500 is perfectly designed to the following applications :

- Silos and tanks weighing
- Reactors or hoppers weighing
- Mixers (vibrating)



CAPACITIES :

4500 : (0.5)- (0.75) - 1 - (1.5) - 2 - 3 - 5 - 7.5 - 10 - 15 - 20 - 30 - 50 t

4500 + 14500

TECHNICAL DATA		
Accuracy class		0.1 1000 d
Linearity error	% F.S.	$< \pm 0.1$
Hysteresis error	% F.S.	$< \pm 0.1$
Non - repeatability	% F.S.	$< \pm 0.03$
Creep error over 30 min.	% F.S.	$< \pm 0.06$
Zero shift after loading	% F.S.	$< \pm 0.015$
Reference temperature	°C	23
Nominal temperature range	°C	- 10...+ 45
Service temperature range	°C	- 30...+ 70
Storage temperature range	°C	- 50...+ 85
Temperature coefficient of the sensitivity	%/10°C	$< \pm 0.05$
Temperature coefficient of zero signal	% F.S./10°C	$< \pm 0.035$
Nominal sensitivity	mV/V	2
Zero balance	mV/V	± 0.02
Sensitivity tolerance ($g=9,8107 \text{ m/s}^2$)	%	$< \pm 0.3$
Input / Output resistance	Ohm	351 ± 2
Insulation resistance (50V)	MOhm	> 5000
Nominal excitation voltage	V	5 to 10
Nominal range of the excitation voltage	V	2...15
Safe load limit	% F.S.	150
Breaking load	% F.S.	> 300
Static lateral force limit	% F.S.	100
Permissible dynamic loading	% F.S.	50

F.S.: full scale Specifications subject to change without notice

LOAD CELLS

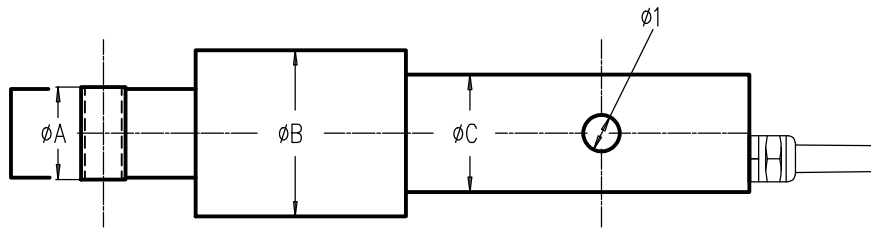
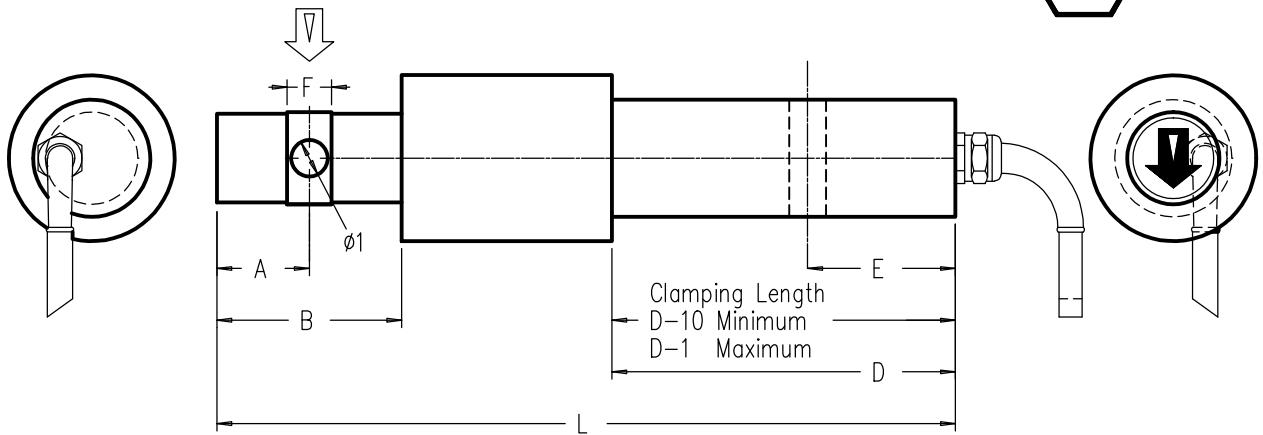
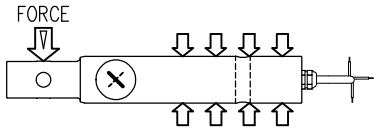
model 4500 stainless steel



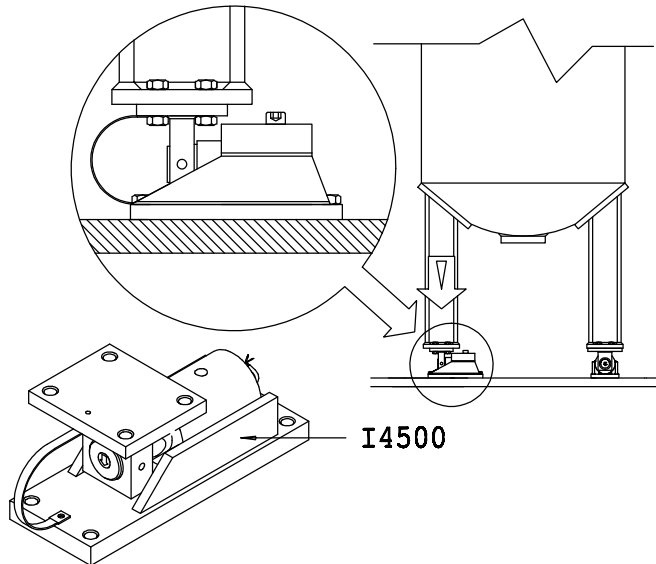
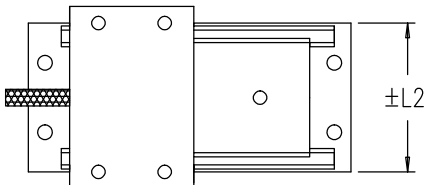
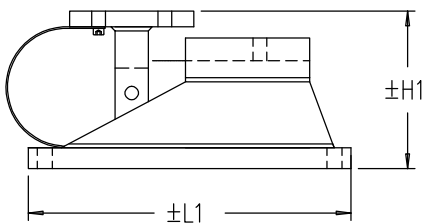
EASY MOUNTING SHEAR-BEAM

Range 0.5-50 t. IP67

Cable length : see table (CL)



CAPACITIES	A	B	D	E	F	L	Ø1	ØA	ØB (MAX)	ØC	CL	H1	L1	L2	Weight					
0.5 - 3 t.	25	50	93	40	8	200	10	25 ±0.1	40	31.75 ±0.1	6 m	125	285	120	1.48 kg.					
5 - 7.5 t.					12			49 -0.15		3 kg.</td										
10 - 15 t.			24	105	20			24	16	60 -0.15					62 -0.15	12 m	174	405	150	3.4 kg.
20 t.																				4.3 kg.
30t.																				8 kg.
50t.	30	60	180	70	40	280	20	88 -0.20	20 m	±230	±500	240	13 kg.							

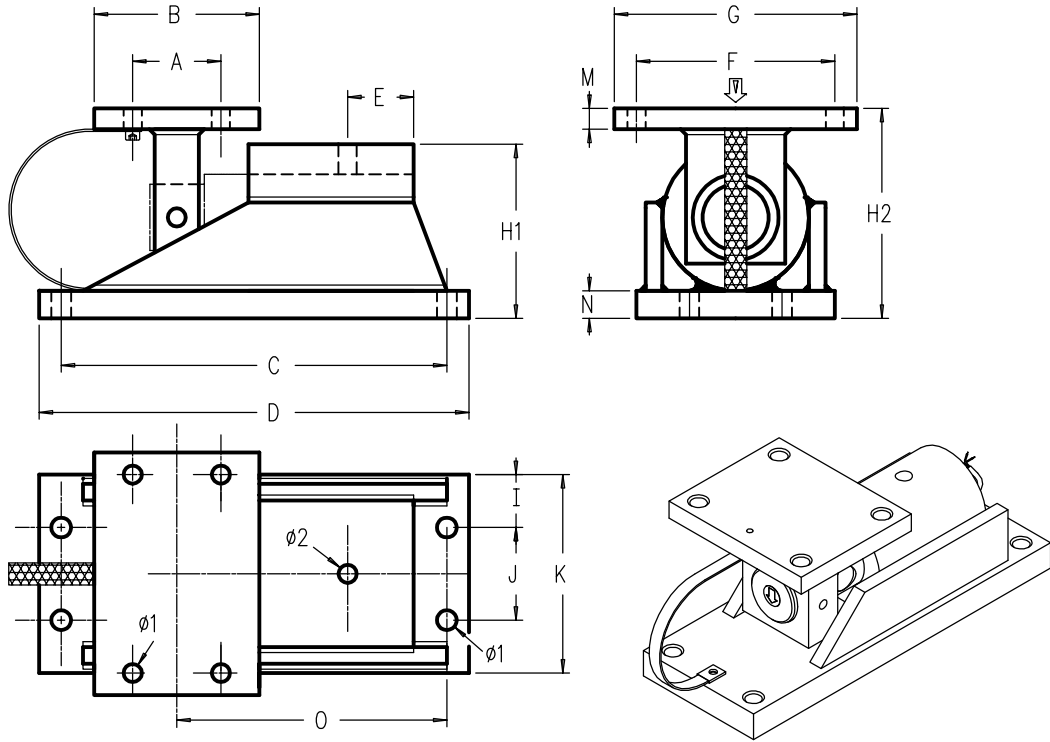


ACCESSORIES

model I4500 stainless steel
 model I4505 coated steel

EASY MOUNT MODEL 4500

Range 0.5 – 30 t



MODEL	CAPACITIES	A	B	C	D	E	F	G	I	J	K	M	N	O	φ1	φ2	H1	H2	Weight (kg.)
I4500	0.5 – 3 t.	60	90	255	285	40	90	120	15	90	120	15	20	200	12.5	10.5	100	125	10.6 (I4505 Ni plated)
	5 – 7.5 t.																		11.2 (I4505 Ni plated)
I4505	10 – 20 t.	110	150	365	405	60	140	180	20	110	150	20	30	260	17	16.5	134	174	23.5 (I4505 painted)
	30 t.			407	450		157	200	21.5	157	200	30		273.5	21.5		160	206.5	48 (I4505 painted)

