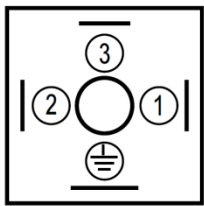


- Potentiometric Measurement
- One-sided Actuating Rod
- Ball Coupling against lateral forces
- Measuring distances from 10 mm to 150 mm
- High Resolution
- High life with 100 million moves
- High operating speed 5 m/s

They work as ABSOLUTE since they are potentiometric, meaning they do not lose their position in the power cuts.

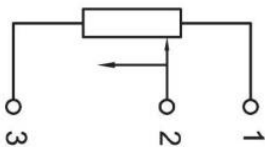
It can be used to measure linear movements from one-sided actuating rod. Due to the linearized conductive plastic resistance alloy and special contacts, it is not affected by abrasions and works for a long time with motion lives up to 100 million. They behave steadily with their linearity and make equal measurements.

### Connection



#### POTENTIOMETRIC OUTPUT

1. Resistance / + Supply
2. Common Adjuster
3. Resistance / - Supply
4. Grounding

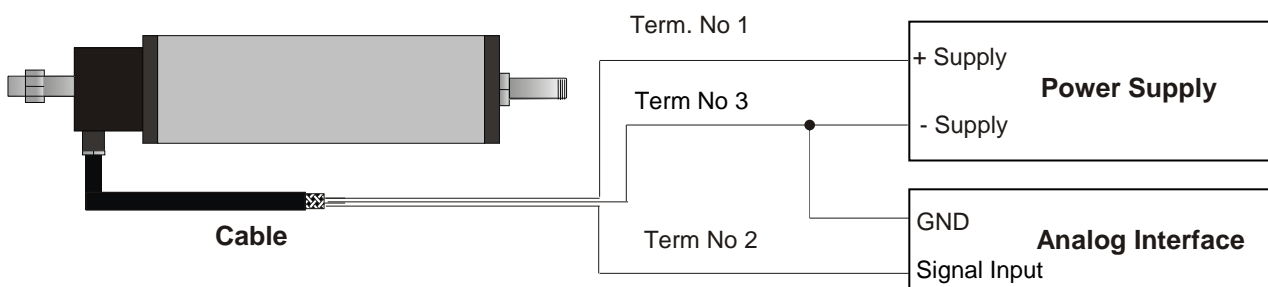


Potentiometer Connection  
(Voltage Divider)

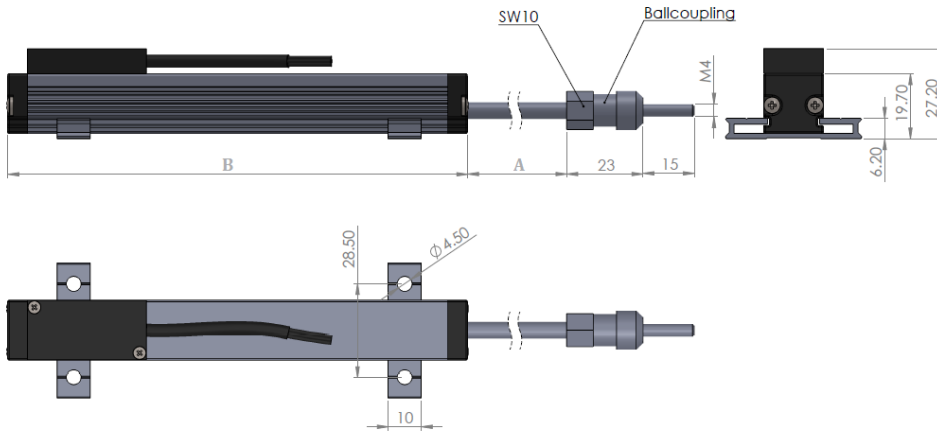
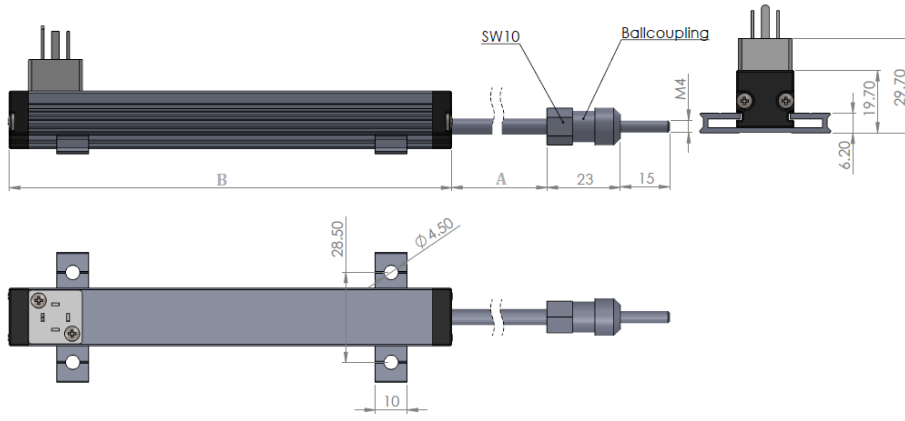
### Technical Specifications

Height Options / Measuring distance (mm)	10 – 25 – 50 – 75 – 100 – 150
Resistance Element	Conductive Plastic
Output Signals	Potentiometric / Voltage Divider
Independent Linearity	± %0,6
Socket Connection	4 pin Female Socket or Optional Cable
Supply	Maksimum 42 VDC
Resistance	5K – 10 K ±%20 (Optional Other)
Operating Temperature	-30°C +100°C
Life	100 million Moves
Spindle Material	Stainless Steel
Body Material	Anodized Aluminum

### APPLICATION EXAMPLE



## Mechanical Measurements



Strok (mm)	25	50	75	100	150
A	27	52	77	102	152
B	63	88	113	138	188
Electrical Stroke	25	50	75	100	150
Mechanical Stroke	27	52	77	102	152

## Order Details

**Model No**

**Length Options / Measuring Length**

Measuring sizes from 10 mm to 150 mm

L F - 1 0 0 - 2 M

**Cable / Socket**

Blank : Standard socket (DIN43650-C)  
2M : 2 meter cable (optional)



## ATEK SENSÖR TEKNOJİLERİ AŞ

Tuzla KOSB Organize Sanayi Bölgesi, Melek Aras Bulvarı No:67 PK:34956 Tuzla / İstanbul

Tel: +90 216 399 44 04

Faks: +90 216 399 44 02

[www.ateksensor.com](http://www.ateksensor.com)

[info@ateksensor.com](mailto:info@ateksensor.com)

