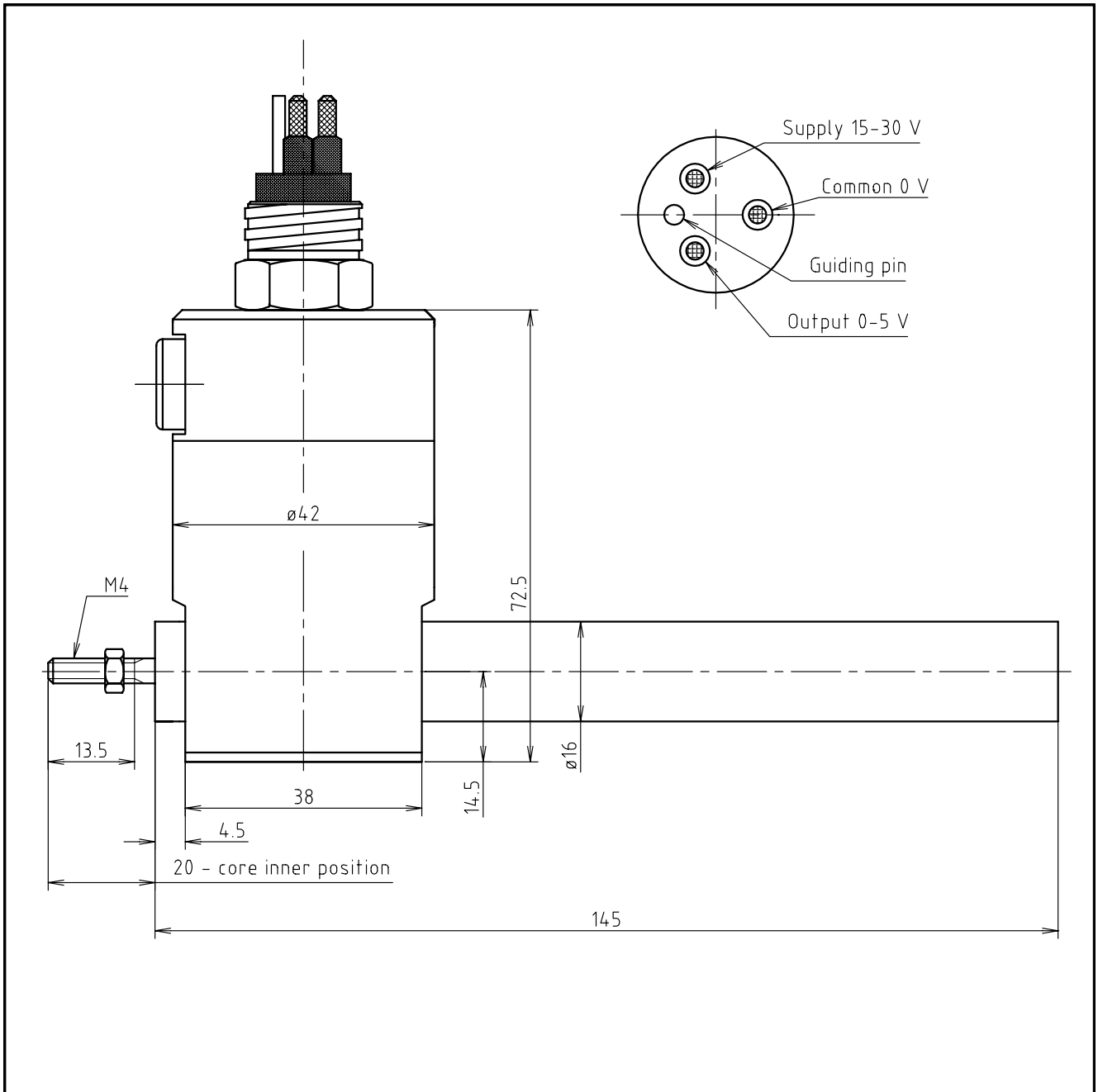


DISPLACEMENT TRANSMITTER LSU 16/25 EC1RH (submersible)



DESCRIPTION

The displacement transmitter LSU 16/25 EC1RH is based on differential coils in half bridge configuration. With the core in center position the two coil impedances are the same. When the core is moved the coil impedances go in opposite directions. When a carrier wave voltage is applied across the coils there is a linear relation between the generated mid-point voltage and the core position. The basic principle makes the measurement contactless and teflon bearings in the bore liner gives excellent wear resistance (>100 mio movements). All outer surfaces are made of high corrosion resistant stainless steel. This, together with the watertight laserwelded construction, allows the transmitter to be submerged in water down to 5000 metres. The electronics is mounted in the cylindrical stainless steel housing with the connector.

SPECIFICATIONS

Linear range	25 mm (other ranges possible)
Non-linearity (best fit straight line)	< ± 0.5 %
Supply Voltage	15 – 30 V _{DC}
Supply voltage rejection	> 86 dB
Output signal	0 – 5 V, R _L > 1 kohm
Load resistance rejection	> 60 dB for max. ΔR_L
Response time	6 msec
Output ripple	< 0.05% of FSO
Temperature range	-25 °C to +85 °C
Temperature coefficient	< ± 0.05 %/°C
EMC Emission and Immunity	EN 61326
Max outside pressure	< 500 bar (5000 mWC) liquid or gas compatible with transducer material
Transducer material - core - coil- and electronic housing	Ferritic Stainless Steel Sandvik 18.0.2 Austenitic Stainless Steel AISI 316.
Connector	3-pole SUBCONN BH3M
Weight	535 g

INSTALLATION

To minimize wear, make sure that there is no bending of the transducer core rod when mounting. The core rod ends with a M4 thread for easy attachment.

ORDERING INFORMATION

LSU 16/25 EC1RH